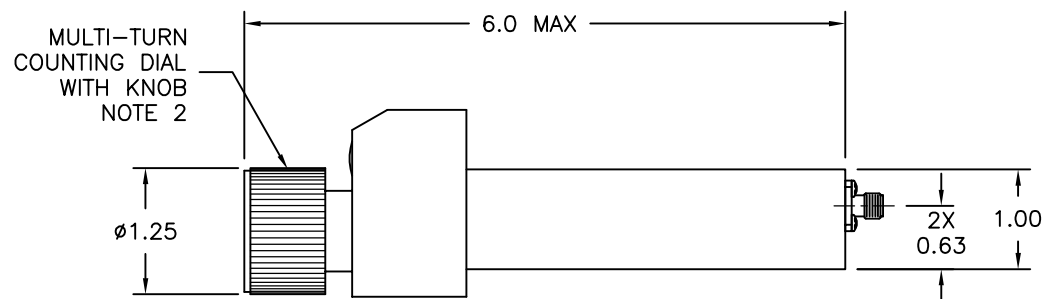
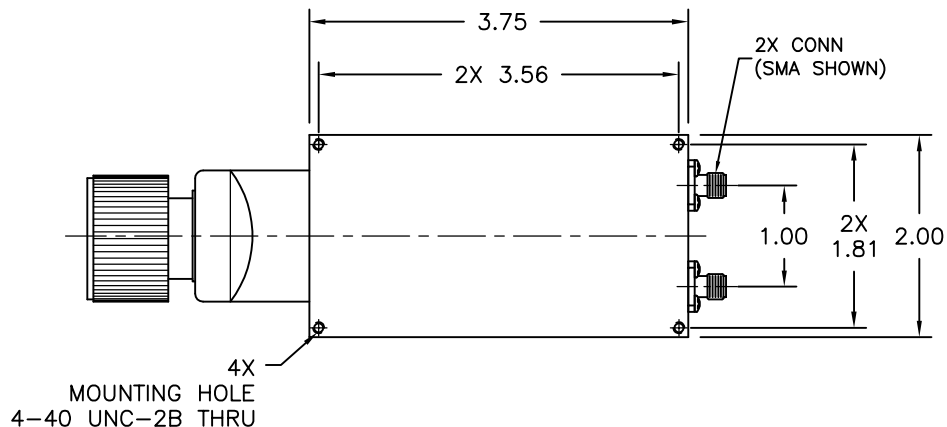
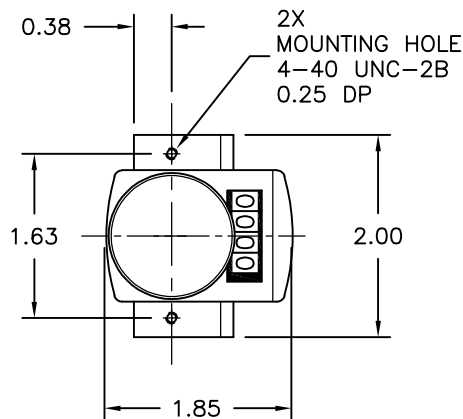


REV	AUTH	DATE	INITIAL RELEASE
A	RL	07/12/01	INITIAL RELEASE
B	RL	12/23/04	DIMS STYLE UPDATED ; MAX DIMS ADDED
C	RL	01/08/05	ROTATED DIAL 180° ; CONNECTOR NOTES, DIMENSIONING REVISED
D	DM	02/19/14	ADDED 'DIAL POSITION' NOTE ; CORRECTED MODEL# ; FLIPPED PS BODY (COVER ON TOP)
E	RL	5-31-19	FORMAT UPDATE, CHANGES PER ECN 5-31-19-01



MODEL (SMA)	MODEL (TYPE-N)	FREQ. (GHz)	MIN. PHASE ADJUST
P1403D	P2403D	DC-2.3	0-30°/GHz
P1404D	P2404D	DC-4.3	0-30°/GHz
P1405D	P2405D	DC-8.2	0-30°/GHz
P1406D	P2406D	DC-12.7	0-30°/GHz
P1407D	P2407D	DC-18.6	0-30°/GHz
P1408D	NA	DC-26.5	0-30°/GHz
P1408D-360	NA	18.0-26.5	0°-360°
*P1409D-360	NA	18.0-40.0	0°-360°

NOTES:

- ALL MODELS HAVE AN RF POWER RATING OF 100W AVERAGE & 3 KW PEAK
- DIAL IS SHIPPED IN ORIENTATION SHOWN, ADJUSTMENT BY CUSTOMER IS POSSIBLE.
- *P1409D-360 IS SUPPLIED WITH 2.92mm CONNECTORS ONLY.

THIRD ANGLE PROJECTION:		APPROVALS	DATE			L-3 Narda - ATM TEL: (631) 289-0363 FAX: (631) 289-0358 www.atmmicrowave.com		THE INFORMATION IN THIS DRAWING IS PROPRIETARY AND SHALL NOT BE USED OR DISCLOSED WITHOUT THE PRIOR WRITTEN CONSENT OF ATM, INC. DO NOT SCALE DWG.		
UNLESS OTHERWISE NOTED, DIMENSIONS ARE IN INCHES, TOLERANCES ARE: FRACTIONS: ±1/64 ANGLES: ±1/2°		DRAWN RL	7-12-01	30°/GHz PHASESHIFTER DIGITAL COUNTING DIAL (-D)		SIZE A		CAGE CODE OR8N4	ATM DWG # 4431W	REVISION E
MACHINED FINISH 63 ✓ OR BETTER		CHKD.		SCALE		MODEL #		SHEET 1/1		
DECIMALS 2 PLACE 3 PLACE		APRVD.								
±.01	±.005	MATERIAL -								
		TREATMENT -								
		FINISH -								