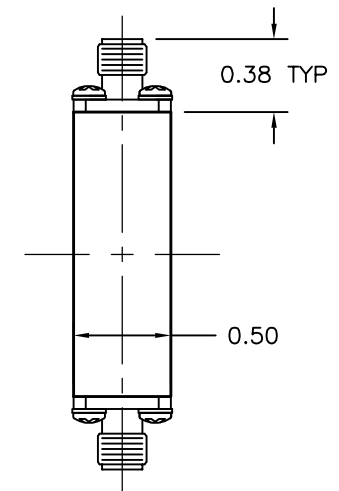
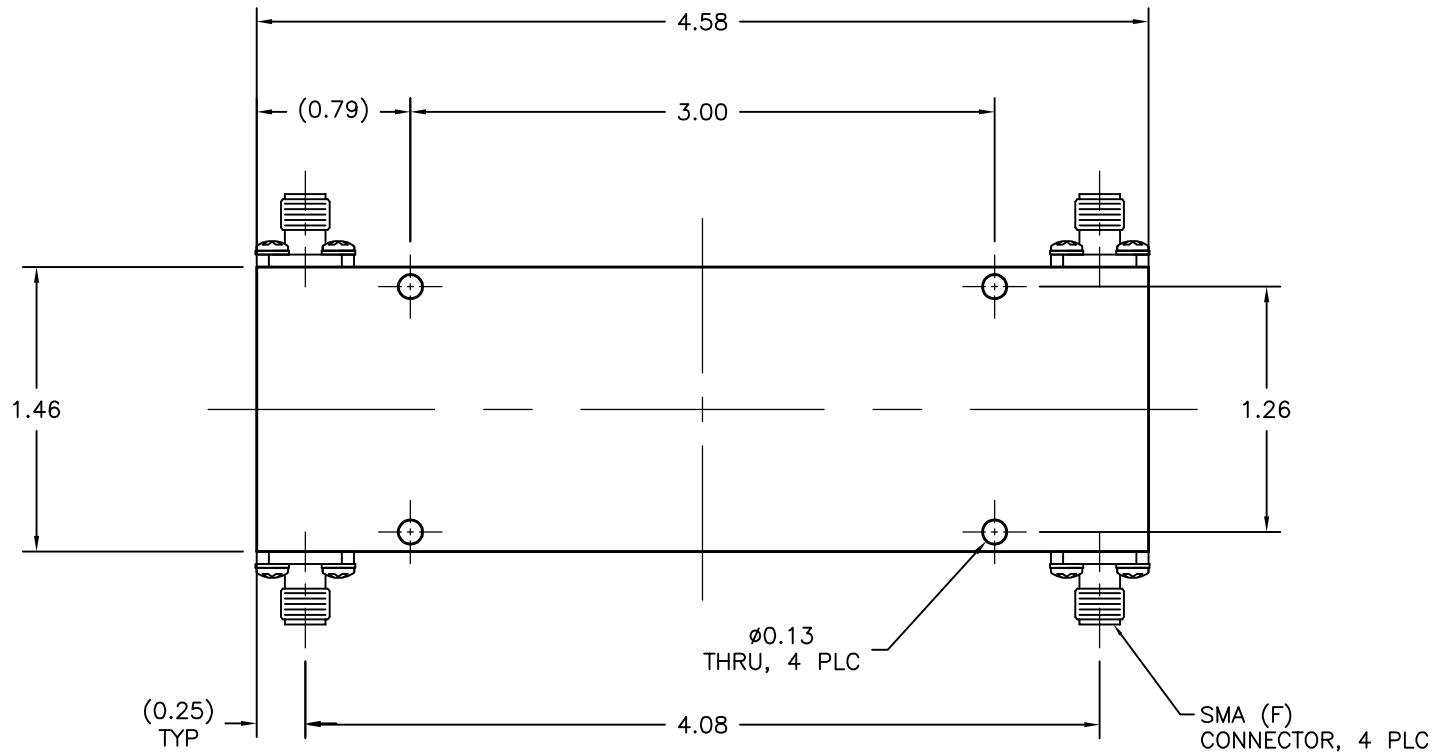


REV A	AUTH M.R.	DATE 07/19/16	INITIAL RELEASE
----------	--------------	------------------	-----------------



THIRD ANGLE PROJECTION:		APPROVALS	DATE	 L-3 Narda - ATM TEL: (631) 289-0363 FAX: (631) 289-0358 www.atmmicrowave.com		<small>THE INFORMATION IN THIS DRAWING IS PROPRIETARY AND SHALL NOT BE USED OR DISCLOSED WITHOUT THE PRIOR WRITTEN CONSENT OF ATM, INC. DO NOT SCALE DWG.</small>	
UNLESS OTHERWISE NOTED, DIMENSIONS ARE IN INCHES, TOLERANCES ARE: FRACTIONS: ±1/64 ANGLES: ±1/2° MACHINED FINISH 63 ✓ OR BETTER DECIMALS 2 PLACE 3 PLACE ±.01 ±.005		DRAWN M.R.	07/19/16				
		CHKD.		SIZE A	CAGE CODE OR8N4	ATM DWG # 17858	REVISION A
		APRVD.		MATERIAL -		SCALE 1 : 1	MODEL # H912D
		TREATMENT -		ATM STD GRAY			