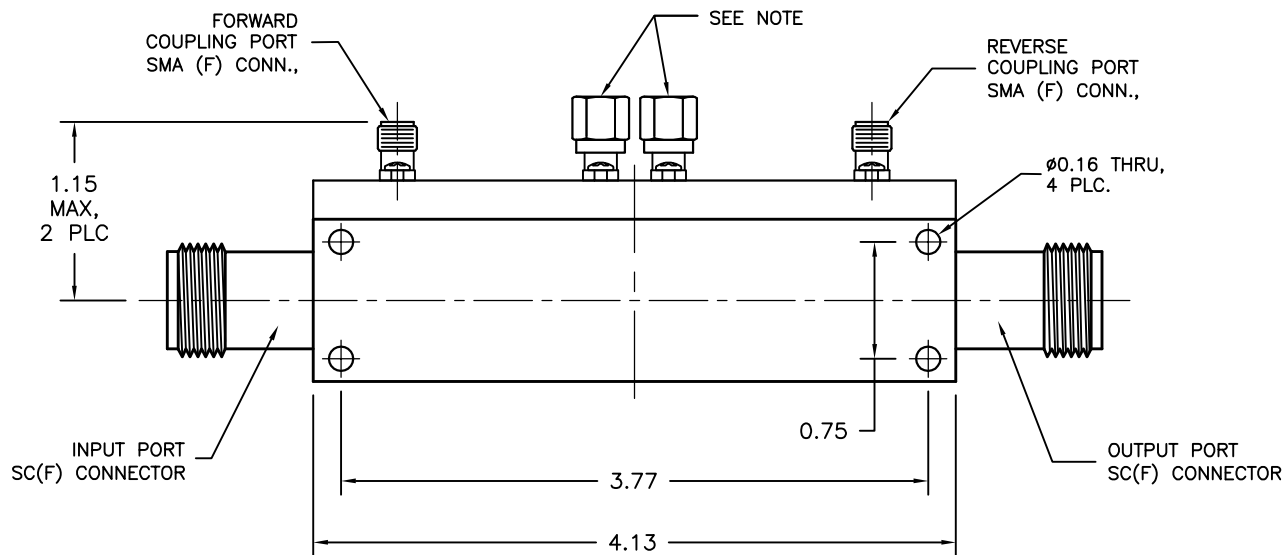
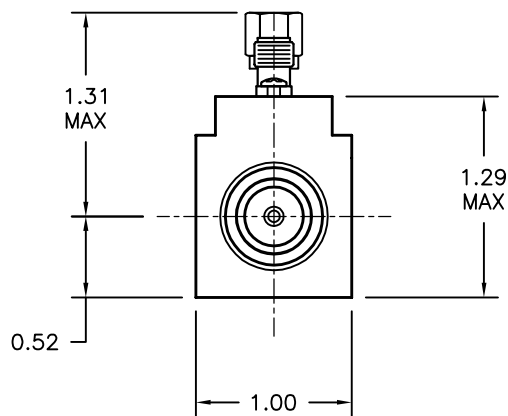
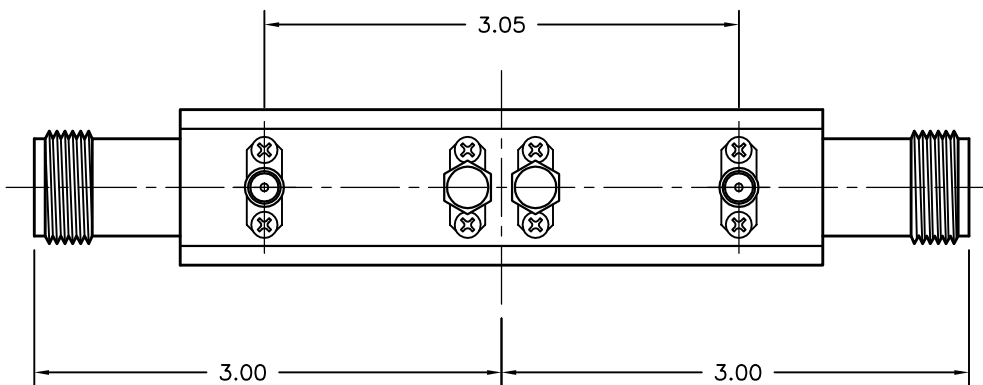


APPLICATIONS:

FREQ. RANGE GHz	MODEL NUMBER
4.0-8.0	CHPsc75-XXF-XXR
2.0-8.0	CHPsc74F-XXF-XXR



NOTES:

- \*NOTE: SECONDARY TERMINATION(S) CAN BE INTERNAL OR EXTERNAL DEPENDING ON MODEL AND SHOULD NOT BE REMOVED. FOR CONNECTORIZED LOADS CONSULT FACTORY.

THIRD ANGLE PROJECTION:		APPROVALS	DATE	 L-3 Narda - ATM TEL: (631) 289-0363 FAX: (631) 289-0358 www.atmmicrowave.com		THE INFORMATION IN THIS DRAWING IS PROPRIETARY AND SHALL NOT BE USED OR DISCLOSED WITHOUT THE PRIOR WRITTEN CONSENT OF ATM, INC. DO NOT SCALE DWG.	
UNLESS OTHERWISE NOTED, DIMENSIONS ARE IN INCHES. TOLERANCES ARE: FRACTIONS: ±1/64 ANGLES: ±1/2° MACHINED FINISH 63 ✓ OR BETTER		DRAWN M.R.	02/02/18				
		CHKD. R.L.	02/02/18	OUTLINE COAXIAL DUAL HP COUPLER, SC CONNECTORS			
		APRVD.					
DECIMALS 2 PLACE 3 PLACE		MATERIAL ALUM BODY		SIZE A	CAGE CODE OR8N4	ATM DWG # 19654	REVISION A
±.01	±.005	TREATMENT -		SCALE 1 : 1	MODEL # SEE TABLE	SHEET 1/1	
		FINISH CHEM FILM					