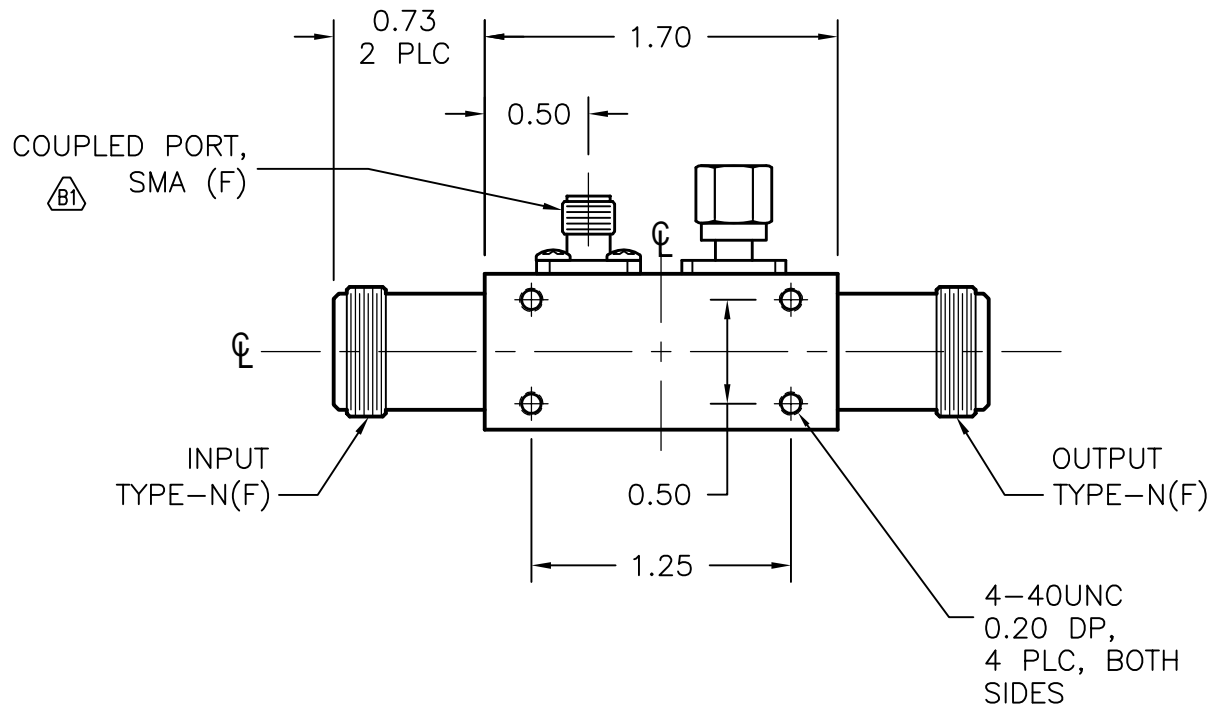
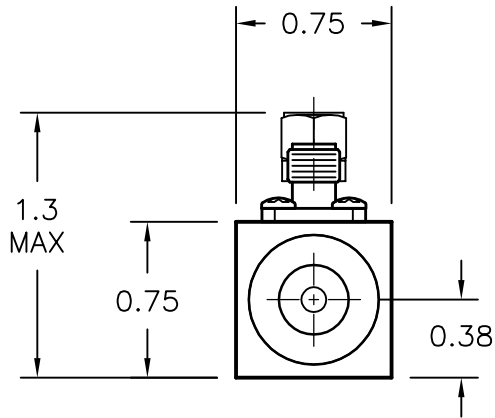


REV A	AUTH M.R.	DATE 02/16/17	INITIAL RELEASE
REV B	AUTH R.L.	DATE 11/08/06	COUP. PORT WAS: TYPE-N(F). DWG# WAS: 5047W; MOUNT. HOLES WERE: #4-40 TAP. FORMAT UPDATE.
REV C	AUTH M.R.	DATE 02/16/17	PER E.C.N. 12-06-16-01. MOUNTING HOLES CHANGED. WERE #0.130 THRU 2 PLC.



THIRD ANGLE PROJECTION:		APPROVALS	DATE			L-3 Narda - ATM TEL: (631) 289-0363 FAX: (631) 289-0358 www.atmmicrowave.com		<small>THE INFORMATION IN THIS DRAWING IS PROPRIETARY AND SHALL NOT BE USED OR DISCLOSED WITHOUT THE PRIOR WRITTEN CONSENT OF AT&M, INC. DO NOT SCALE DWG.</small>	
UNLESS OTHERWISE NOTED, DIMENSIONS ARE IN INCHES, TOLERANCES ARE: FRACTIONS: ±1/64 ANGLES: ±1/2° MACHINED FINISH 63 ✓ OR BETTER		DRAWN R.L.	07/22/02	<h2 style="text-align: center;">OUTLINE</h2> <h3 style="text-align: center;">DIRECTIONAL COUPLER, TYPE-N</h3>		SIZE A CAGE CODE OR8N4 ATM DWG # 5046W REVISION C		SCALE 1 : 1 MODEL # CH225H-35 SHEET 1/1	
DECIMALS 2 PLACE 3 PLACE		CHKD.							
±.01 ±.005		APRVD.							
		MATERIAL -							
		TREATMENT CHEM FILM							
		FINISH STD GRAY							