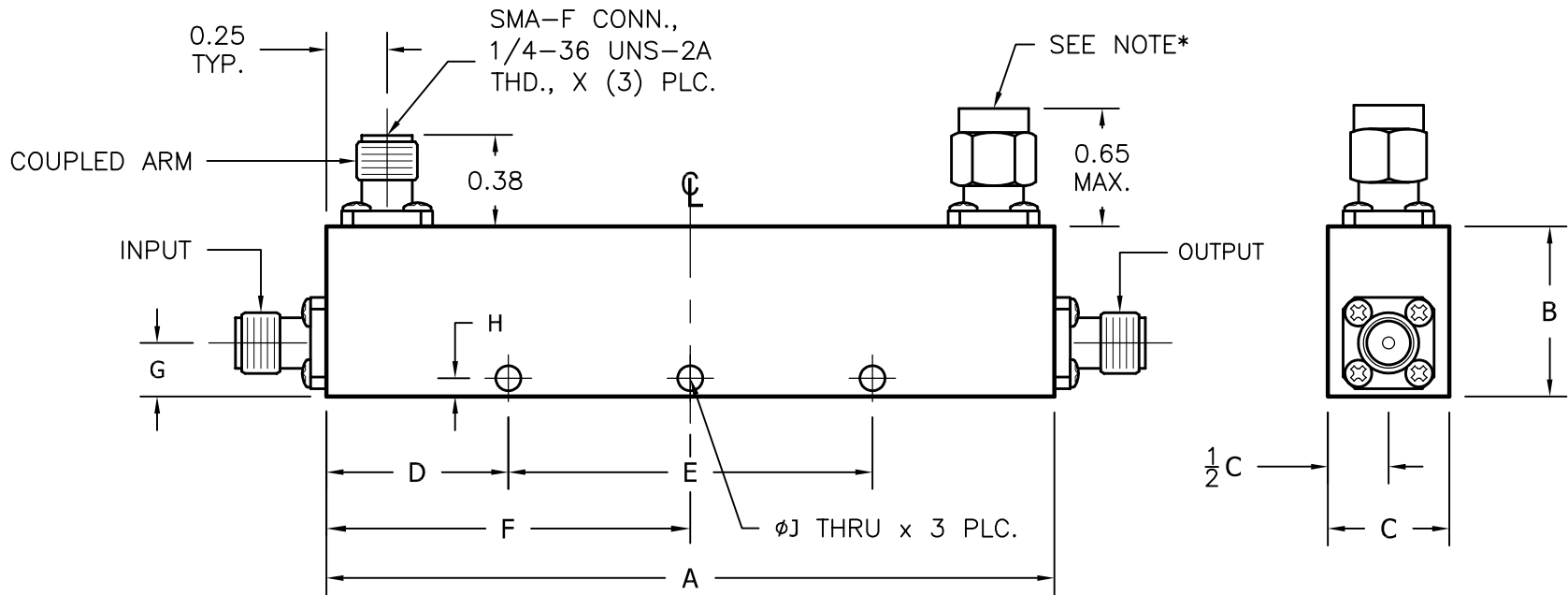


REV A	AUTH RL	DATE 07/17/01	INITIAL RELEASE
REV B	AUTH RL	DATE 8/13/02	UPDATED DIMENSION TABLE VALUES.
REV C	AUTH RL	DATE 06/4/04	UPDATED NOTES, TABLE
REV D	AUTH RL	DATE 8/24/07	TITLE BLOCK UPDATED, TERMINATION NOTES ADDED.



DIMENSIONS IN INCHES

FIGURE	A	B	C	D	E	F	G	H	J
1	3.60	0.53	0.38	0.50	2.60	---	0.22	0.075	0.105
2	3.60	0.60	0.38	0.50	2.60	---	0.22	0.075	0.105
3	3.70	0.70	0.38	0.50	2.70	---	0.22	0.075	0.105
4	2.90	0.68	0.38	0.45	2.00	---	0.34	0.150	0.149
5	2.90	0.60	0.38	0.45	2.00	---	0.22	0.075	0.105
6	1.78	0.68	0.38	0.45	0.875	---	0.34	0.150	0.149
7	1.88	0.60	0.38	0.44	1.00	---	0.22	0.075	0.105
8	1.22	0.55	0.38	0.42	0.375	---	0.22	0.075	0.105
9	1.22	0.60	0.38	0.42	0.375	---	0.22	0.075	0.105
10	1.00	0.50	0.38	---	---	0.50	0.22	0.075	0.105
11	4.40	0.60	0.38	0.50	3.40	---	0.24	0.075	0.105
12	3.47	0.70	0.38	0.74	2.00	---	0.26	0.100	0.105
13	3.47	0.70	0.50	0.74	2.00	---	0.26	0.340	0.105
14	2.10	0.70	0.38	0.55	1.00	---	0.26	0.100	0.105
15	2.09	0.70	0.50	0.55	1.00	---	0.26	0.340	0.105
16	1.36	0.60	0.38	0.43	0.50	---	0.26	0.090	0.105
17	1.36	0.66	0.38	0.43	0.50	---	0.26	0.090	0.105
18	1.06	0.63	0.38	---	---	0.53	0.38	0.093	0.105

*NOTE: SECONDARY TERMINATION CAN BE INTERNAL OR EXTERNAL DEPENDING ON MODEL AND SHOULD NOT BE REMOVED. FOR CONNECTORIZED LOADS CONSULT FACTORY.

THIRD ANGLE PROJECTION:		APPROVALS	DATE	ADVANCED TECHNICAL MATERIALS, INC. TEL: (631) 289-0363 FAX: (631) 289-0358 www.atmmicrowave.com		<small>THE INFORMATION IN THIS DRAWING IS PROPRIETARY AND SHALL NOT BE USED OR DISCLOSED WITHOUT THE PRIOR WRITTEN CONSENT OF ATM, INC. DO NOT SCALE DWG.</small>	
UNLESS OTHERWISE NOTED, DIMENSIONS ARE IN INCHES, TOLERANCES ARE: FRACTIONS: $\pm 1/64$ ANGLES: $\pm 1/2^\circ$		DRAWN RL	7/17/01				
		BASIC DIMENSION		DECIMALS 2 PLACE 3 PLACE		APRVD.	
UNDER 6"		$\pm .02$	$\pm .005$	MATERIAL -		SIZE A	
6" - 12"		$\pm .03$	$\pm .010$	TREATMENT -		CAGE CODE OR8N4	ATM DWG # 4445W
OVER 12"		$\pm .06$	$\pm .015$	FINISH ATM STD. GRAY		SCALE NONE	MODEL # C12XX-XX
						REVISION D	
						SHEET 1/1	
OUTLINE, DIRECTIONAL COUPLER, SMA, MULTI-BAND							