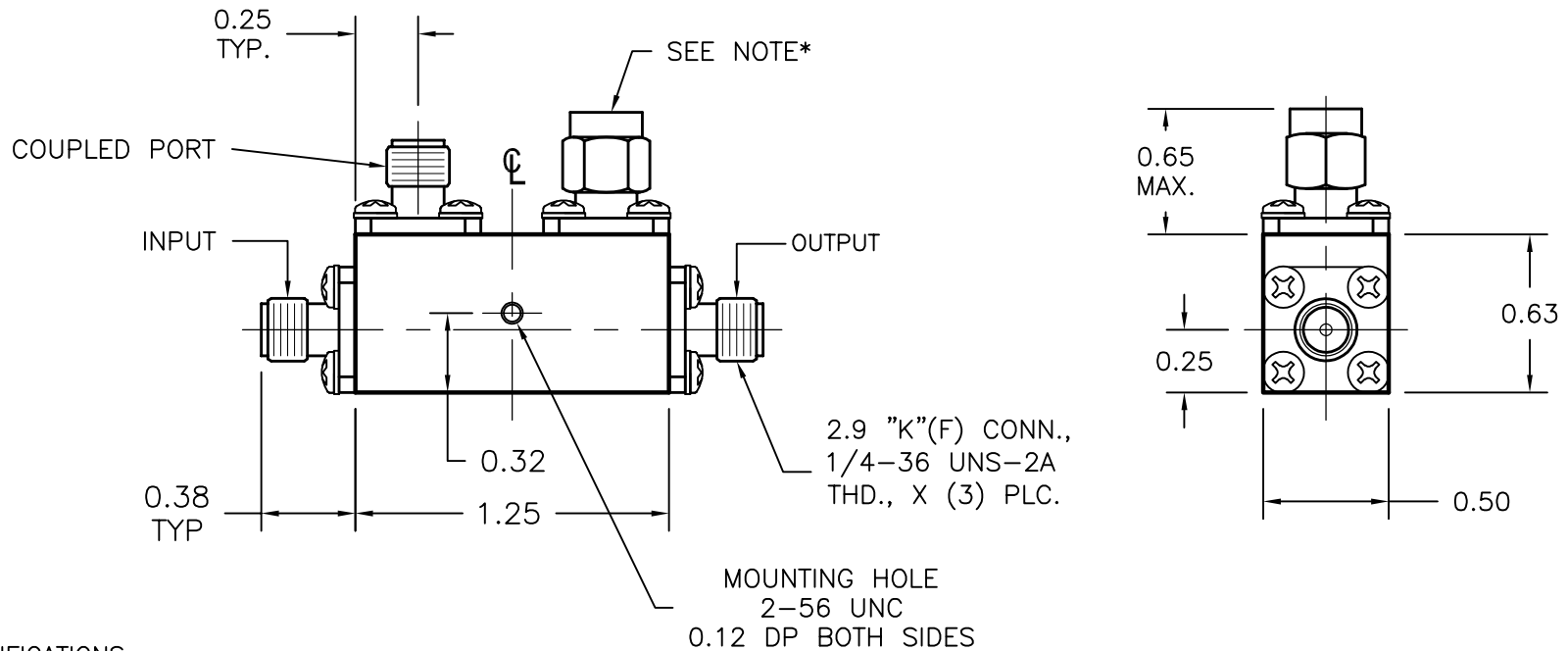


REV A	AUTH MR	DATE 06/19/09	INITIAL RELEASE
REV B	AUTH RL	DATE 06/2/17	FORMAT UPDATE



MODEL SPECIFICATIONS

MECHANICAL

MODEL NUMBER(S): C128K-10
C128K-20

MATERIAL:
BODY: 6061/T-6 ALUM.
CONNECTORS: STAINLESS STEEL
FINISH: UNIQUE CORROSION RESISTANT
316 STAINLESS STEEL EPOXY COATING

ELECTRICAL

FREQ. RANGE: 18.0-40.0 GHz

COUPLING:
C128K-10: 10dB ±1.25
C128K-20: 20dB ±1.25

FREQ. SENS.: ± 0.80 dB

DIRECTIVITY: 12 dB MIN.

VSWR:
MAIN: 1.90:1 MAX
SECONDARY: 1.90:1 MAX

INSERTION LOSS:
EXCLUDING COUPLING: 1.4 dB
TRUE: C128K-10: 2.00 dB
: C128K-20: 1.45 dB

POWER: 20 W. AVG, 3kW PEAK

*NOTE: SECONDARY TERMINATION CAN BE INTERNAL OR EXTERNAL DEPENDING ON MODEL AND SHOULD NOT BE REMOVED. FOR CONNECTORIZED LOADS CONSULT FACTORY.

THIRD ANGLE PROJECTION:	APPROVALS	DATE	L-3 Narda - ATM TEL: (631) 289-0363 FAX: (631) 289-0358 www.atmmicrowave.com		<small>THE INFORMATION IN THIS DRAWING IS PROPRIETARY AND SHALL NOT BE USED OR DISCLOSED WITHOUT THE PRIOR WRITTEN CONSENT OF L3 NARDA-ATM, INC. DO NOT SCALE DWG.</small>
	DRAWN MR	6/19/09			
UNLESS OTHERWISE NOTED, DIMENSIONS ARE IN INCHES, TOLERANCES ARE: FRACTIONS: ±1/64 ANGLES: ±1/2° MACHINED FINISH 63 ✓ OR BETTER	CHKD.		OUTLINE DIRECTIONAL COUPLER, MULTI-BAND		
	APRVD.				
DECIMALS 2 PLACE 3 PLACE	MATERIAL SEE NOTES	SIZE A	CAGE CODE OR8N4	ATM DWG # 9854	REVISION B
±.01 ±.005	TREATMENT -	SCALE 1 : 1	MODEL # SEE NOTES		SHEET 1/1
	FINISH -				