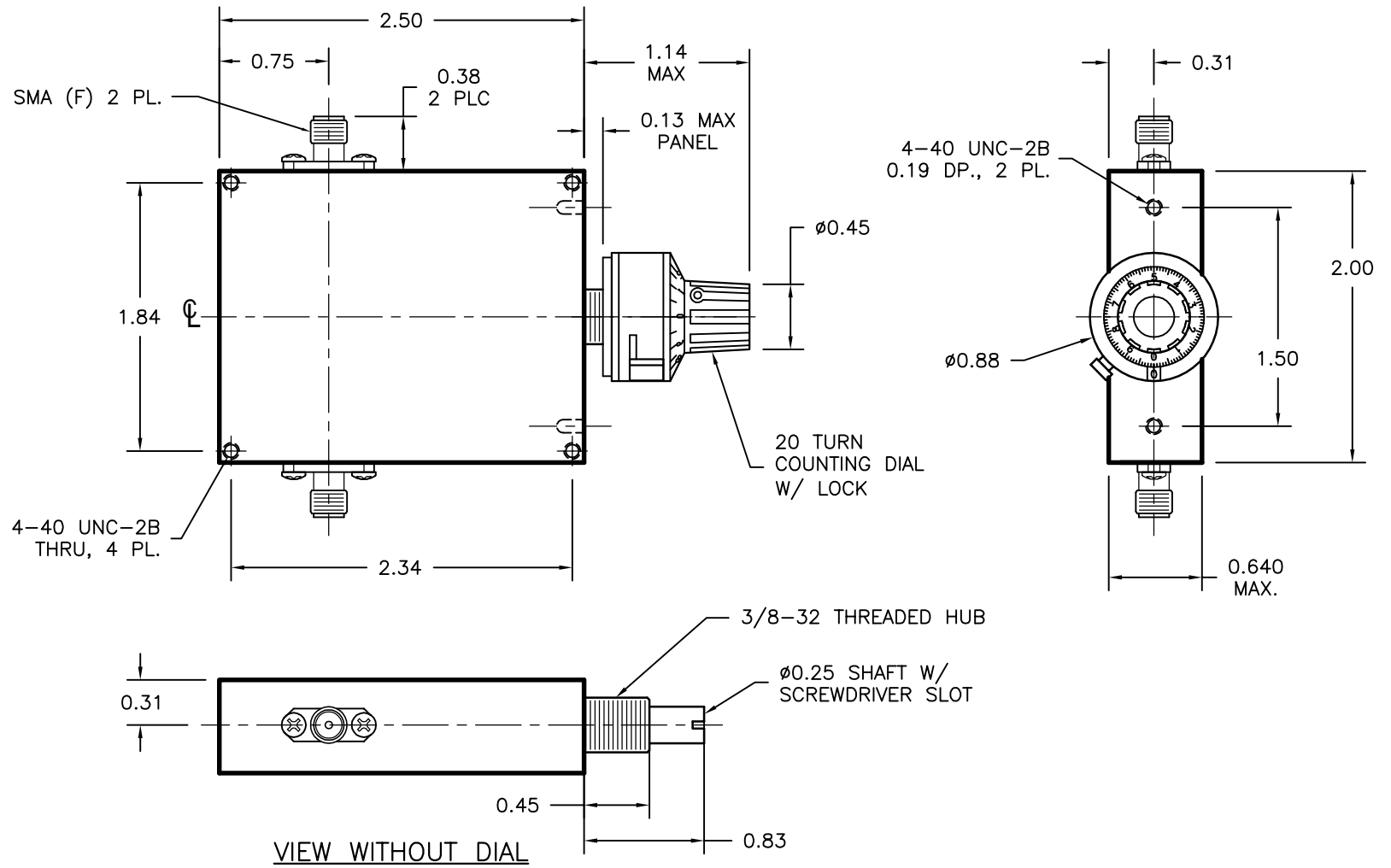



REV	AUTH	DATE	INITIAL RELEASE
-	R.T.K.	04/05/01	
A	R.L.	07/28/04	DWG.# 2851W WAS: 4218, UPDATED TITLE BLOCK, DIMS.
B	M.R.	12/11/17	DIAL UPDATED, PER E.C.N. 12-11-17-01. FORMAT UPDATE.



THIRD ANGLE PROJECTION		APPROVALS		DATE	 L-3 Narda - ATM TEL: (631) 289-0363 FAX: (631) 289-0358 www.atmmicrowave.com	<small>THE INFORMATION IN THIS DRAWING IS PROPRIETARY AND SHALL NOT BE USED OR DISCLOSED WITHOUT THE PRIOR WRITTEN CONSENT OF L3 NARDA-ATM, INC. DO NOT SCALE DWG.</small>		
UNLESS OTHERWISE NOTED, DIMENSIONS ARE IN INCHES, TOLERANCES ARE: FRACTIONS: ±1/64 ANGLES: ±1/2° MACHINED FINISH 63 ✓ OR BETTER		DRAWN	R.T.K.	04/05/01		OUTLINE, AV/AF88 ATTENUATOR, TURNS COUNTING DIAL		
		CHKD.	M (M.R.)	12/11/17				
		APRVD.			MATERIAL ALUM BODY TREATMENT CHEM FILM STD GRAY		SIZE A CAGE CODE OR8N4 ATM DWG # 2851W	REVISION B
DECIMALS 2 PLACE 3 PLACE ±.01 ±.005		SCALE		1 : 1	MODEL # AX-88X-XX		SHEET 1/1	