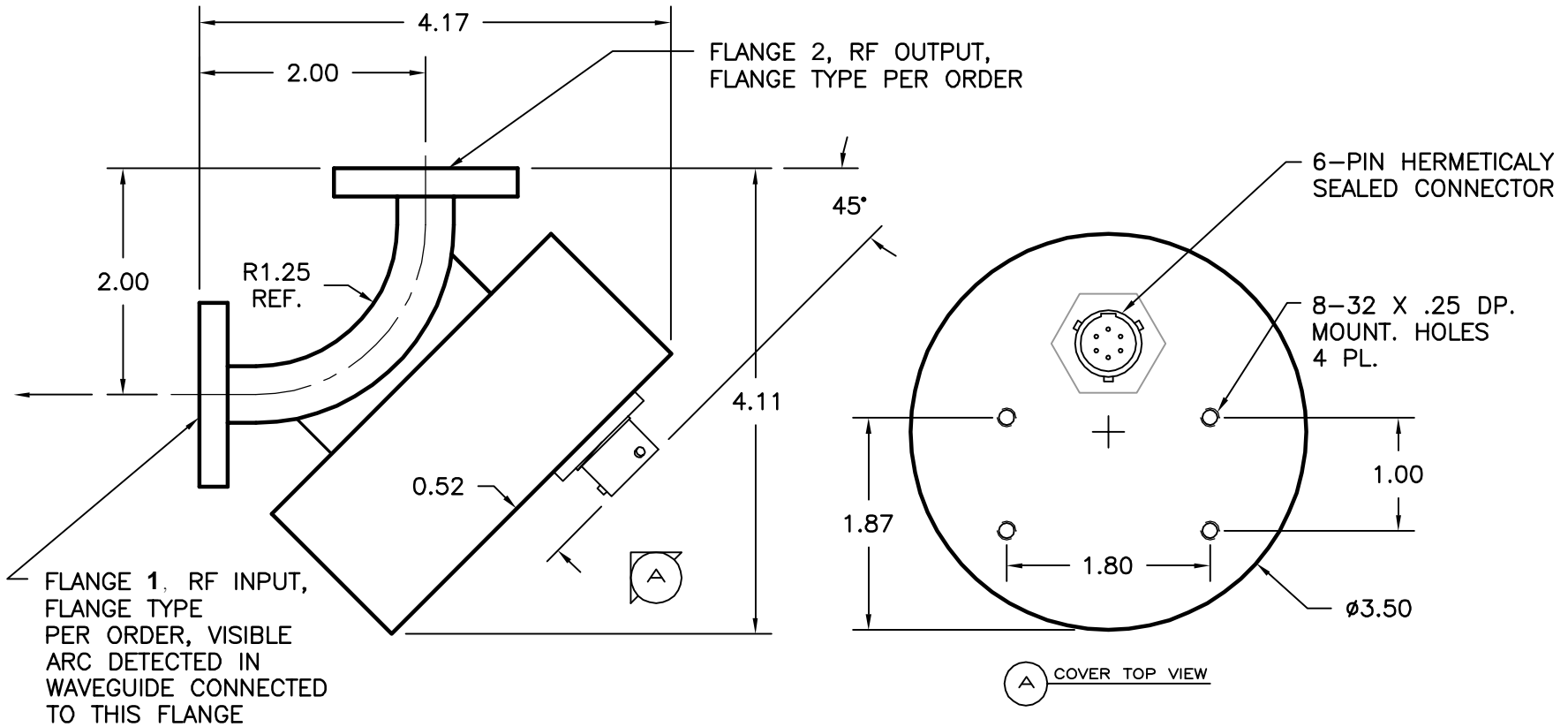


REV. -	AUTH. R.L.	DATE 5/6/04	INITIAL RELEASE	APPROVED
REV. A	AUTH. R.L.	DATE 04/05/05	NOTES, FORMAT UPDATED	APPROVED



MATERIAL PER ORDER	TREATMENT -	DRAWN R. LYNCH	DATE 5/6/04	
FINISH ATM STD. GRAY	MOD NO. 90-ARCE-X-X-X	CHECKED	DATE	
<b>OUTLINE, WR90 ARC DETEC., 90° E-BEND</b>		APPROVED	DATE	
		CAGE CODE: OR8N4	DO NOT SCALE DWG	
ADVANCED TECHNICAL MATERIALS, INC. 49 RIDER AVE., PATCHOGUE N.Y. 11772 TEL: (631) 289-0363 FAX: (631) 289-0358 <a href="http://www.atmmicrowave.com">http://www.atmmicrowave.com</a>		UNLESS OTHERWISE NOTED DIMENSIONS ARE IN INCHES TOLERANCES ARE:	FRACTIONS ±1/64 DECIMALS ±.03 ANGLES ±1/2°	SHEET. <b>1/1</b>
		PROPRIETARY NOTICE: THE INFORMATION IN THIS DRAWING IS PROPRIETARY AND SHALL NOT BE USED OR DISCLOSED WITHOUT THE PRIOR WRITTEN CONSENT OF ATM, INC.	SCALE NONE	DWG. NO. <b>3951W</b>
			REV. <b>A</b>	