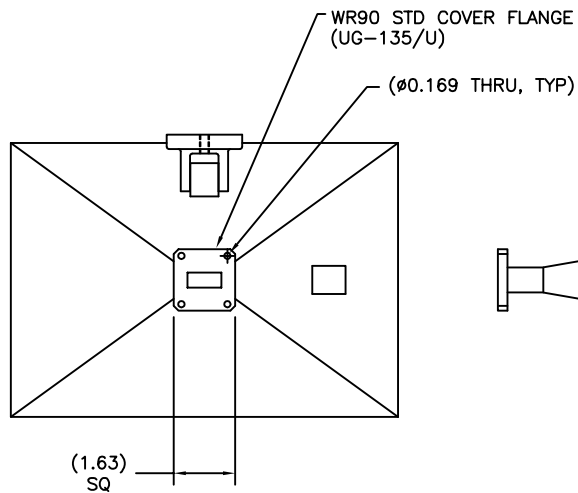
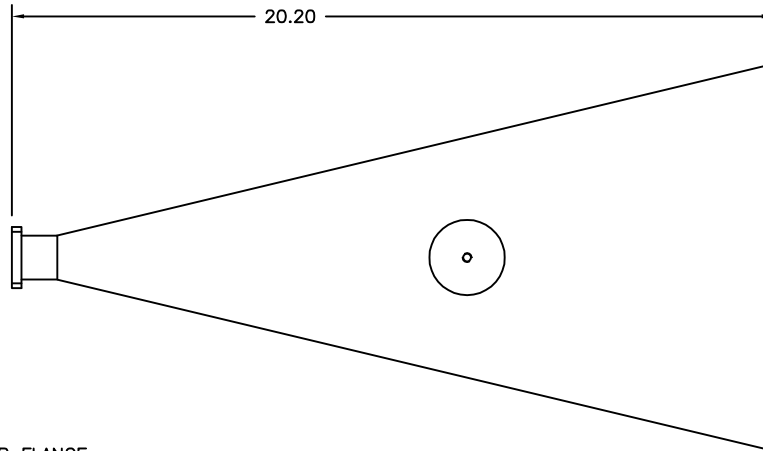
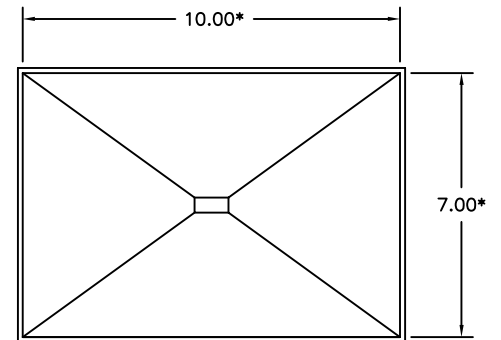
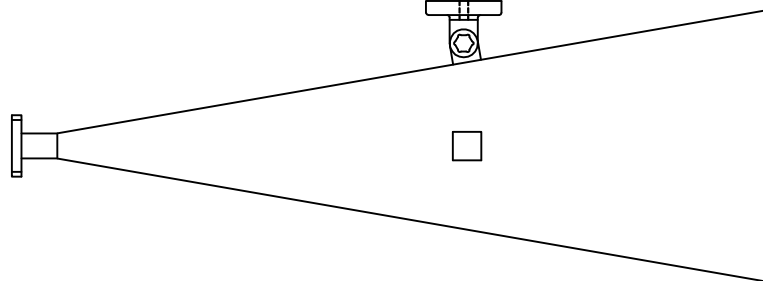


REV A	AUTH DM	DATE 03/26/14	INITIAL RELEASE
----------	------------	------------------	-----------------



MOUNTING BRACKET  
(OPTION)



\*INSIDE DIMENSION

THIRD ANGLE PROJECTION:		APPROVALS	DATE	<b>ADVANCED TECHNICAL MATERIALS, INC.</b> TEL: (631) 289-0363 FAX: (631) 289-0358 www.atmmicrowave.com		THE INFORMATION IN THIS DRAWING IS PROPRIETARY AND SHALL NOT BE USED OR DISCLOSED WITHOUT THE PRIOR WRITTEN CONSENT OF ATM, INC. DO NOT SCALE DWG.	
UNLESS OTHERWISE NOTED, DIMENSIONS ARE IN INCHES, TOLERANCES ARE:  FRACTIONS: $\pm 1/64$ ANGLES: $\pm 1/2^\circ$  MACHINED FINISH 63 $\checkmark$ OR BETTER		DRAWN <b>DM</b>	03/26/14	<b>OUTLINE</b> WR90 HORN - 24dB - w/ BRACKET		REVISION <b>A</b>	
DECIMALS 2 PLACE   3 PLACE		CHKD.				SIZE <b>A</b>	CAGE CODE <b>OR8N4</b>
$\pm 0.1$   $\pm 0.005$		APRVD.		SCALE <b>NONE</b>		MODEL # <b>90-443-6/BR</b>	SHEET <b>1/1</b>
		MATERIAL <b>ALUMINUM</b>					
		TREATMENT <b>CHEM FILM</b>					