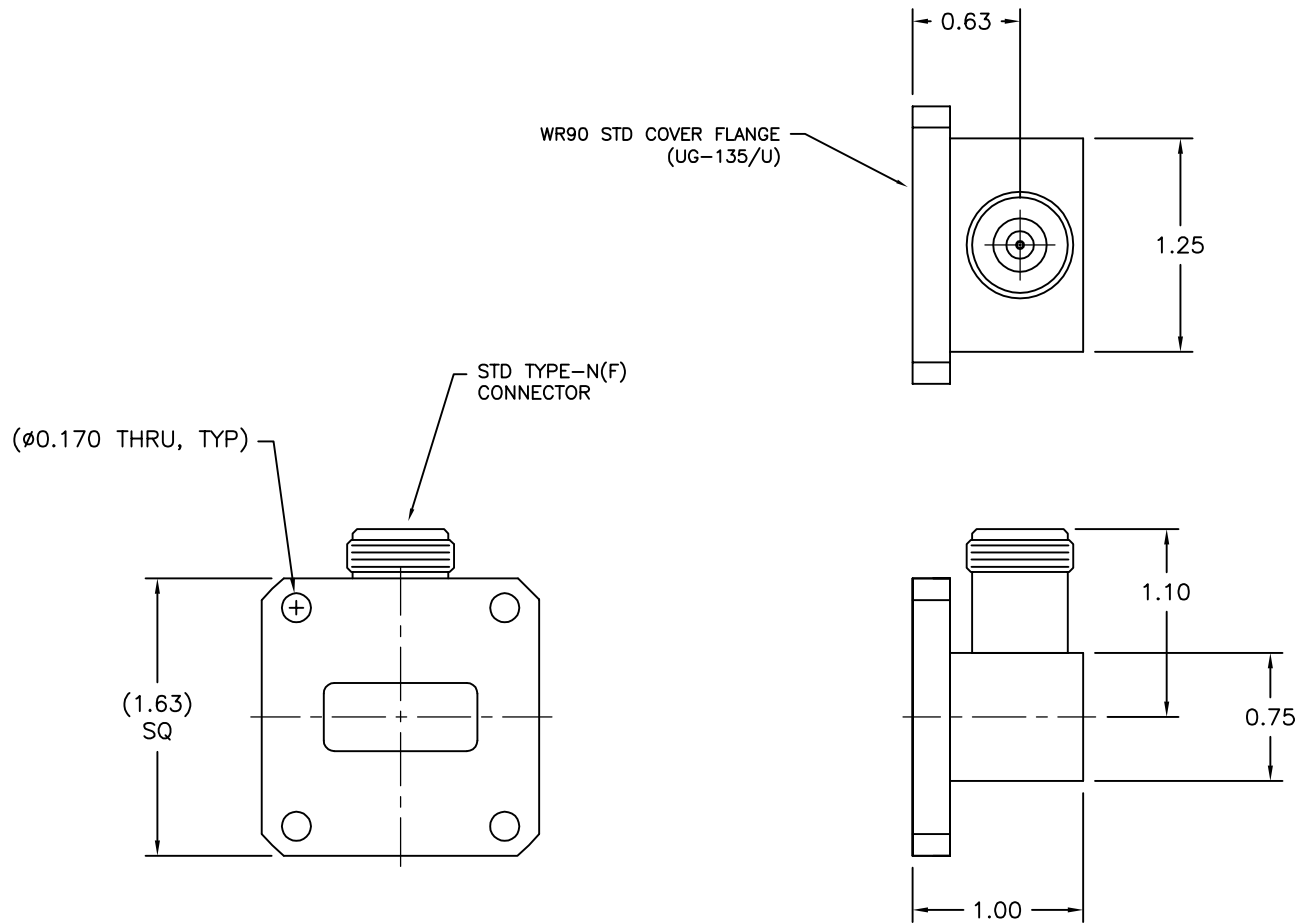


REV A	AUTH DM	DATE 07/26/12	INITIAL RELEASE
B	DM	07/26/12	UPDATED DIMENSION
C	DM	06/04/13	REMOVED FINISH



THIRD ANGLE PROJECTION:		APPROVALS	DATE	ADVANCED TECHNICAL MATERIALS, INC. TEL: (631) 289-0363 FAX: (631) 289-0358 www.atmmicrowave.com		THE INFORMATION IN THIS DRAWING IS PROPRIETARY AND SHALL NOT BE USED OR DISCLOSED WITHOUT THE PRIOR WRITTEN CONSENT OF ATM, INC. DO NOT SCALE DWG.	
UNLESS OTHERWISE NOTED, DIMENSIONS ARE IN INCHES, TOLERANCES ARE: FRACTIONS: $\pm 1/64$ ANGLES: $\pm 1/2^\circ$ MACHINED FINISH 63 \checkmark OR BETTER		DRAWN DM	07/26/12	OUTLINE WR90 WG-COAX ADAPTER			
		CHKD.					
		APRVD.		SIZE A CAGE CODE OR8N4 ATM DWG # 14153 REVISION C			
		MATERIAL ALUMINUM					
		TREATMENT CHEM FILM		SCALE NONE MODEL # 90-253A-6 SHEET 1/1			
DECIMALS 2 PLACE	3 PLACE						
± 0.01	± 0.005						