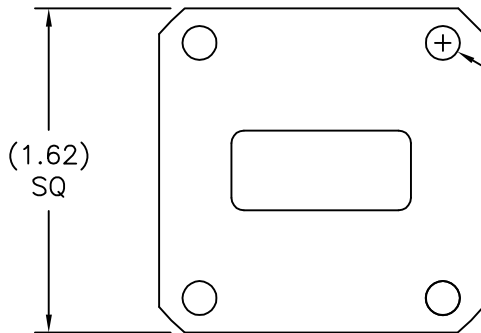
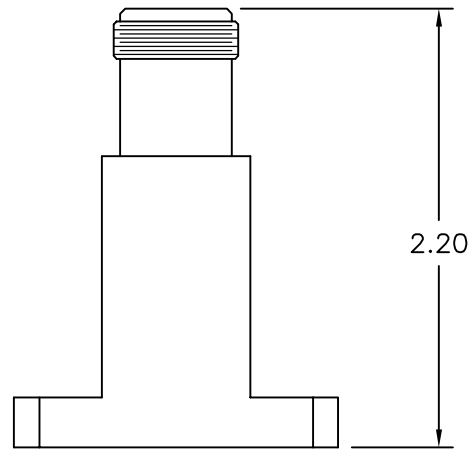
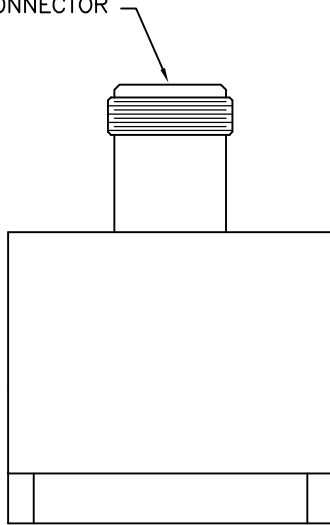
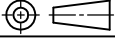



STD TYPE-N(F) CONNECTOR



($\phi 0.170$ THRU, TYP)

WR90 STD COVER FLANGE
(UG-135/U)

THIRD ANGLE PROJECTION:  UNLESS OTHERWISE NOTED, DIMENSIONS ARE IN INCHES, TOLERANCES ARE: FRACTIONS: $\pm 1/64$ ANGLES: $\pm 1/2^\circ$ MACHINED FINISH 63 \checkmark OR BETTER DECIMALS 2 PLACE 3 PLACE $\pm .01$ $\pm .005$	APPROVALS DRAWN DM CHKD. APRVD.	DATE 03/05/13	 ADVANCED TECHNICAL MATERIALS, INC. TEL: (631) 289-0363 FAX: (631) 289-0358 www.atmmicrowave.com	THE INFORMATION IN THIS DRAWING IS PROPRIETARY AND SHALL NOT BE USED OR DISCLOSED WITHOUT THE PRIOR WRITTEN CONSENT OF ATM, INC. DO NOT SCALE DWG.		
	MATERIAL ALUMINUM TREATMENT CHEM FILM			OUTLINE WR90 ENDLAUNCH ADAPTER - TYPE-N		
	SIZE A SCALE NONE	CAGE CODE OR8N4 MODEL # 90-203A-6	ATM DWG # 14600	REVISION A	SHEET 1/1	