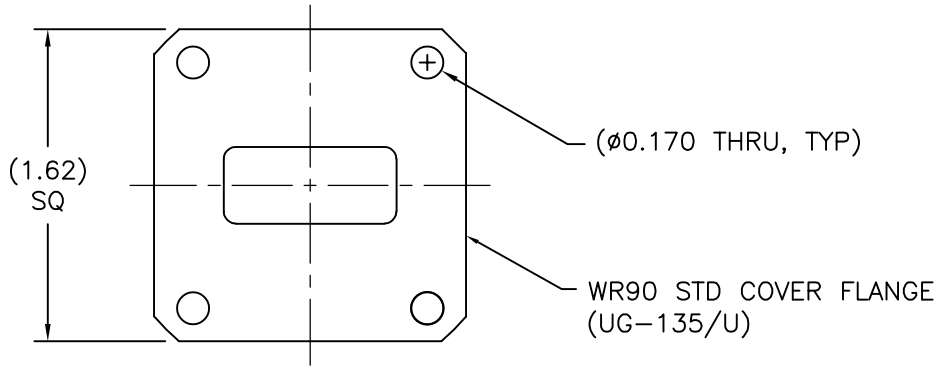
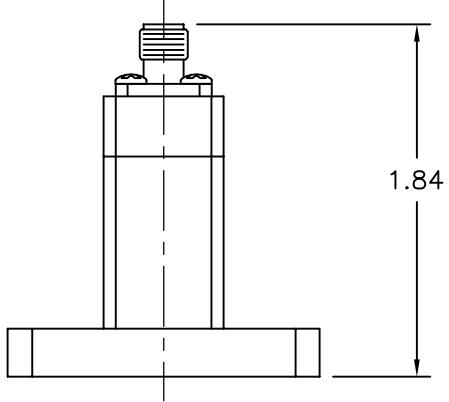
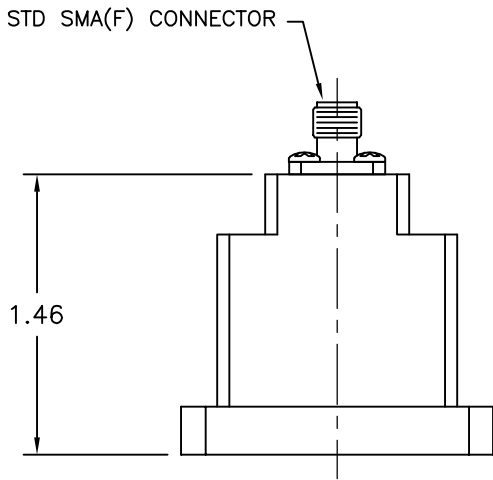
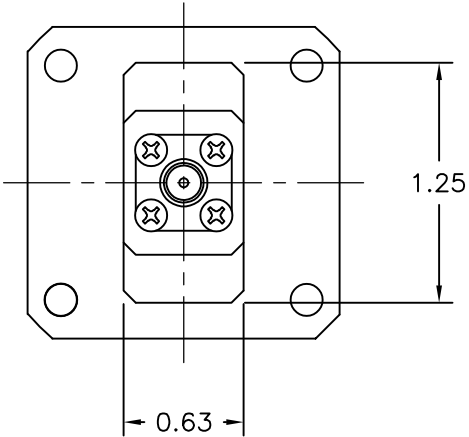


REV A	AUTH DM	DATE 03/04/13	INITIAL RELEASE
REV B	AUTH M.R.	DATE 01/03/19	BODY RE-DRAWN TO SHOW MACHINED STYLE. NO DIMENSIONAL CHANGES.



THIRD ANGLE PROJECTION:	APPROVALS	DATE	ADVANCED TECHNICAL MATERIALS, INC. TEL: (631) 289-0363 FAX: (631) 289-0358 www.atmmicrowave.com <small>THE INFORMATION IN THIS DRAWING IS PROPRIETARY AND SHALL NOT BE USED OR DISCLOSED WITHOUT THE PRIOR WRITTEN CONSENT OF ATM, INC. DO NOT SCALE DWG.</small>		
	DRAWN DM	03/04/13			
	CHKD.				
	APRVD.				
UNLESS OTHERWISE NOTED, DIMENSIONS ARE IN INCHES, TOLERANCES ARE: FRACTIONS: ±1/64 ANGLES: ±1/2° MACHINED FINISH 63 ✓ OR BETTER	MATERIAL ALUMINUM	SIZE A	CAGE CODE OR8N4	ATM DWG # 14589	REVISION B
DECIMALS 2 PLACE 3 PLACE ±.01 ±.005	TREATMENT CHEM FILM	SCALE NONE	MODEL # 90-201A-6	OUTLINE WR90 ENDLAUNCH ADAPTER - SMA	
	FINISH				SHEET 1/1