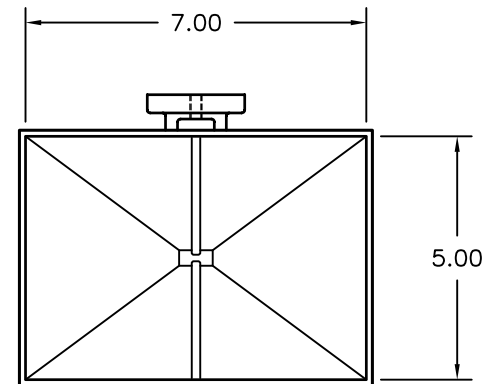
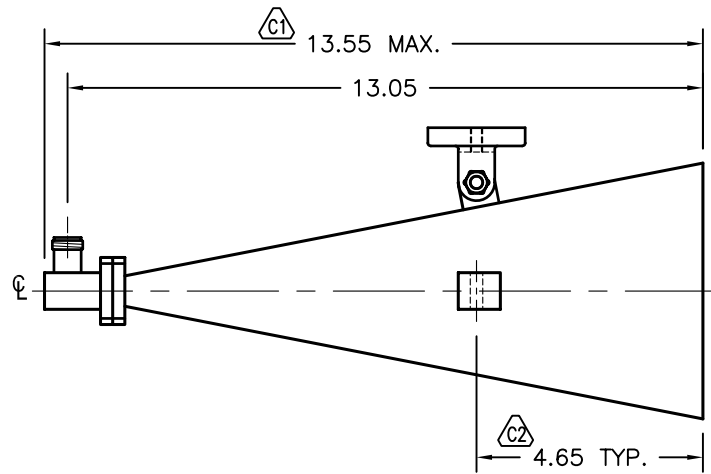
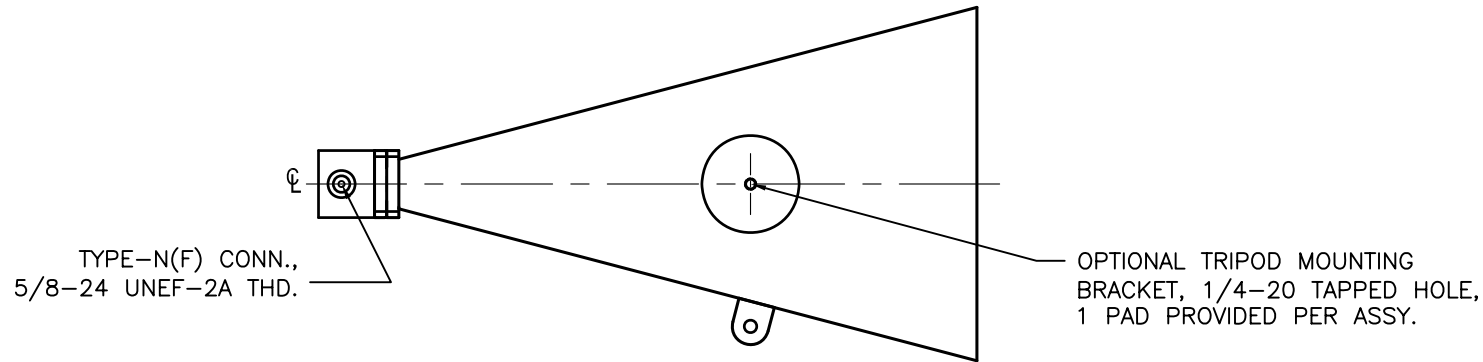


REV A	AUTH RL	DATE 05/19/03	INITIAL RELEASE
REV B	AUTH RL	DATE 04/02/04	TYPE-N(F) WG-COAX WAS: SMA(F) WG-COAX
REV C	AUTH RL	DATE 11/21/06	C1 WAS: 14.11; C2 WAS: 4.52; TRIPOD MOUNTS WERE BLOCK STYLE, FORMAT UPDATE.



MODEL SPECIFICATIONS

MECHANICAL

MODEL NUMBER: 750-442EM-NF
 MATERIAL: 6061/T-6 ALUM.
 FINISH: UNIQUE 316 STAINLESS STEEL EPOXY COATING.

ELECTRICAL

FREQ. RANGE: 8.0-18.0 GHz
 GAIN: 20dB
 VSWR: 1.85

THIRD ANGLE PROJECTION:		APPROVALS	DATE		ADVANCED TECHNICAL MATERIALS, INC. TEL: (631) 289-0363 FAX: (631) 289-0358 www.atmmicrowave.com		THE INFORMATION IN THIS DRAWING IS PROPRIETARY AND SHALL NOT BE USED OR DISCLOSED WITHOUT THE PRIOR WRITTEN CONSENT OF ATM, INC. DO NOT SCALE DWG.
UNLESS OTHERWISE NOTED, DIMENSIONS ARE IN INCHES. TOLERANCES ARE: FRACTIONS: ±1/64 ANGLES: ±1/2°		DRAWN JLE	05/19/03				
BASIC DIMENSION	DECIMALS 2 PLACE 3 PLACE	APRVD.		OUTLINE, WRD750 HORN ANTENNA, TYPE-N		SIZE A	REVISION C
UNDER 6"	±.03 ±.005	MATERIAL ALUM.				CAGE CODE OR8N4	ATM DWG # 5645W
6" - 12"	±.04 ±.010	TREATMENT -				SCALE 1 : 4	MODEL # 750-442EM-NF
OVER 12"	±.06 ±.015	FINISH SEE NOTES					