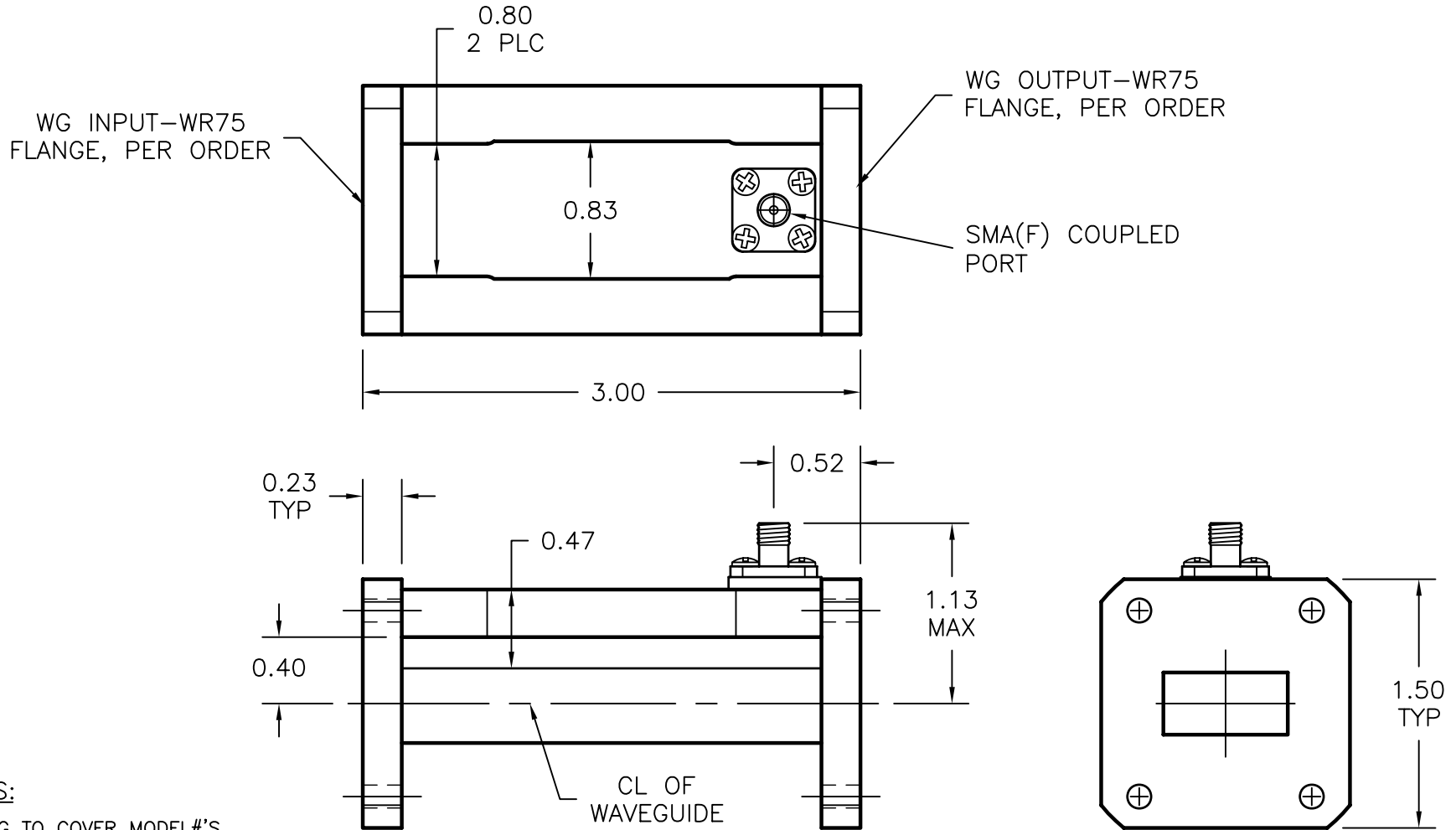


REV. -	DATE 08/16/05	INITIAL RELEASE	APPROVED
REV. A	DATE 1/13/11	PER ECN 01-12-11-01, ADDED RELIEFS FOR HARDWARE CLEARANCE	APPROVED

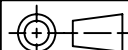



**NOTES:**

DRAWING TO COVER MODEL#'S  
 75-331A-XX-X-X  
 75-332A-XX-X-X

**PERFORMANCE SPECIFICATIONS**

COUPLING: 30,40, AND 50dB  
 COUPLING ACCURACY: ±0.5dB  
 FREQUENCY SENSITIVITY: ±0.5dB  
 DIRECTIVITY: 25MIN, 30 TYPICAL  
 VSWR:  
 THROUGH LINE 1.05  
 COUPLED LINE (COAXIAL) 1.25  
 FREQ. RANGE: 75-331 10.7 - 12.7 GHz  
 FREQ. RANGE: 75-332 13.5 - 14.5 GHz

MATERIAL ALUMINUM	TREATMENT IRIDITE	DRAWN M.R.	DATE 08/16/05	
FINISH ATM STD. GRAY	MOD NO. SEE NOTES	CHECKED	DATE	
<b>OUTLINE, WR75          SHORT LENGTH          HIGH-DIRECTIVITY COUPLER</b>		APPROVED	DATE	
		CAGE CODE: OR8N4	DO NOT SCALE DWG	
		UNLESS OTHERWISE NOTED DIMENSIONS ARE IN INCHES TOLERANCES ARE:		FRACTIONS ±1/64 DECIMALS ±.01 ANGLES ±1/2°
ADVANCED TECHNICAL MATERIALS, INC. 49 RIDER AVE., PATCHOGUE N.Y. 11772 TEL: (631) 289-0363 FAX: (631) 289-0358 <a href="http://www.atmmicrowave.com">http://www.atmmicrowave.com</a>		SCALE NTS 	DWG. NO. 6562	REV. A
 PROPRIETARY NOTICE: THE INFORMATION IN THIS DRAWING IS PROPRIETARY AND SHALL NOT BE USED OR DISCLOSED WITHOUT THE PRIOR WRITTEN CONSENT OF ATM, INC.				