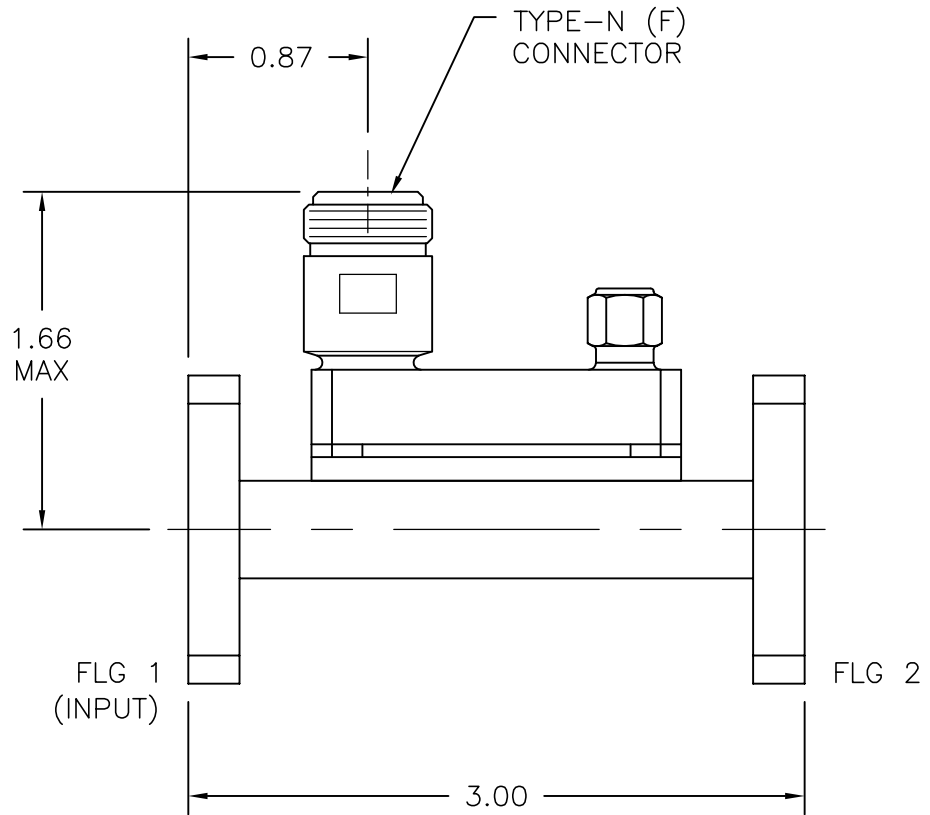


WR75 STD COVER FLANGE
2 PL

(Ø0.146 THRU, TYP)



THIRD ANGLE PROJECTION:		APPROVALS	DATE	ADVANCED TECHNICAL MATERIALS, INC. TEL: (631) 289-0363 FAX: (631) 289-0358 www.atmmicrowave.com		<small>THE INFORMATION IN THIS DRAWING IS PROPRIETARY AND SHALL NOT BE USED OR DISCLOSED WITHOUT THE PRIOR WRITTEN CONSENT OF ATM, INC. DO NOT SCALE DWG.</small>	
UNLESS OTHERWISE NOTED, DIMENSIONS ARE IN INCHES, TOLERANCES ARE: FRACTIONS: ±1/64 ANGLES: ±1/2° MACHINED FINISH 63 ✓ OR BETTER		DRAWN M.R.	01/19/16				
		CHKD.		OUTLINE WR75 LOOP COUPLER - TYPE-N			
		APRVD.					
		MATERIAL ALUMINUM		SIZE A	CAGE CODE OR8N4	ATM DWG # 17341	REVISION A
		TREATMENT CHEM FILM		SCALE NONE	MODEL # 75-307A-XX-6-6	SHEET 1/1	
DECIMALS 2 PLACE	DECIMALS 3 PLACE						
±.01	±.005						