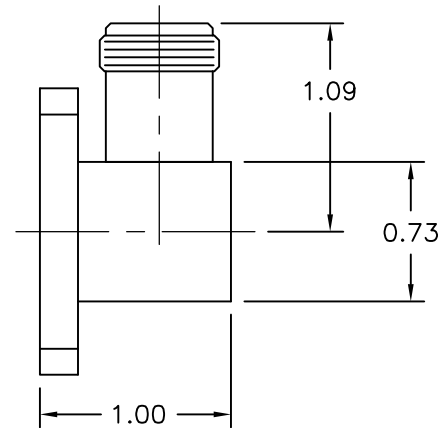
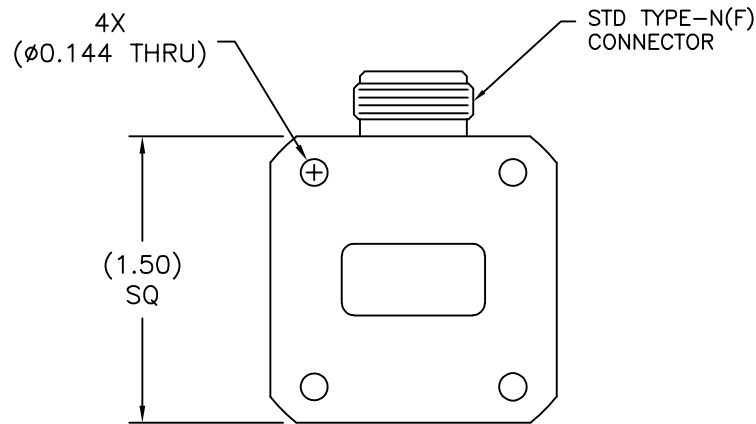
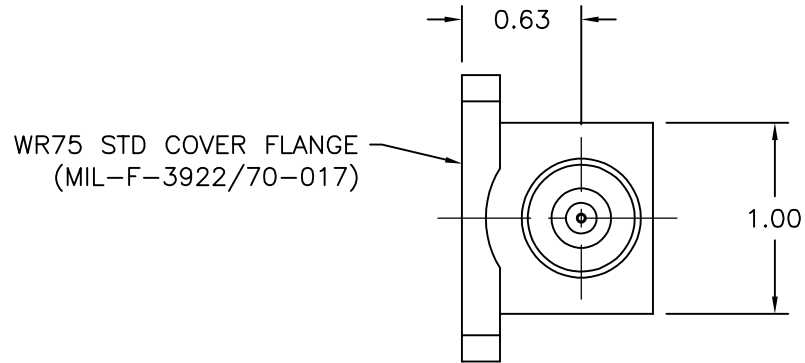
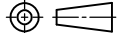



REV A	AUTH DM	DATE 07/26/12	INITIAL RELEASE
REV B	AUTH DM	DATE 06/04/13	REMOVED FINISH
REV C	AUTH RL	DATE 01/15/18	TITLE BLOCK UPDATE, DWG# CHANGE REPLACES #14512



THIRD ANGLE PROJECTION:  UNLESS OTHERWISE NOTED, DIMENSIONS ARE IN INCHES, TOLERANCES ARE: FRACTIONS: ±1/64 ANGLES: ±1/2° MACHINED FINISH 63 ✓ OR BETTER	APPROVALS DRAWN DM CHKD. APRVD.	DATE 07/26/12		L-3 Narda - ATM TEL: (631) 289-0363 FAX: (631) 289-0358 www.atnmicrowave.com	THE INFORMATION IN THIS DRAWING IS PROPRIETARY AND SHALL NOT BE USED OR DISCLOSED WITHOUT THE PRIOR WRITTEN CONSENT OF ATM, INC. DO NOT SCALE DWG.
	MATERIAL - TREATMENT CHEM FILM FINISH -	SIZE A SCALE NONE			
DECIMALS 2 PLACE 3 PLACE ±.01 ±.005	OUTLINE WR75 WG-COAX ADAPTER, TYPE-N			REVISION C	