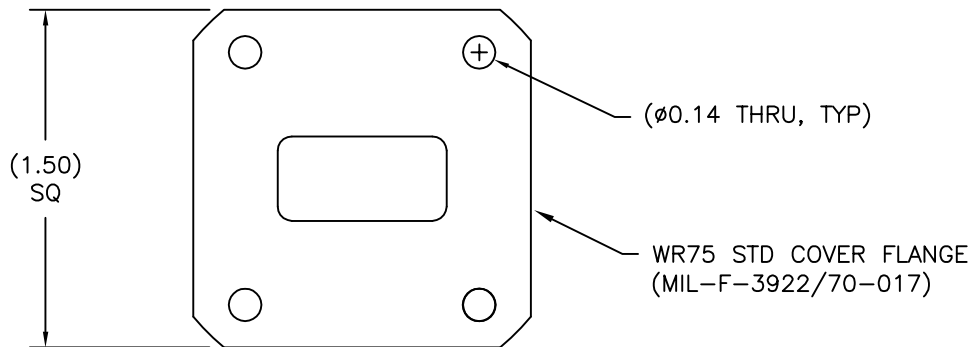
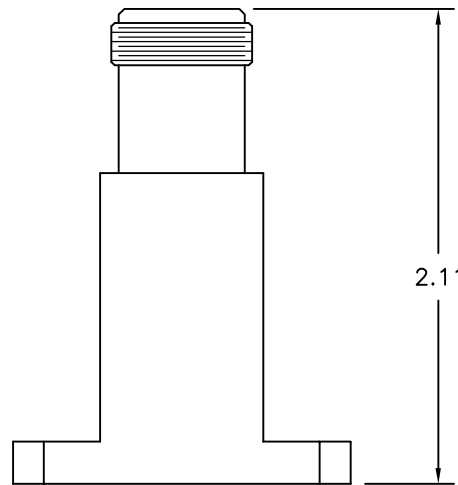
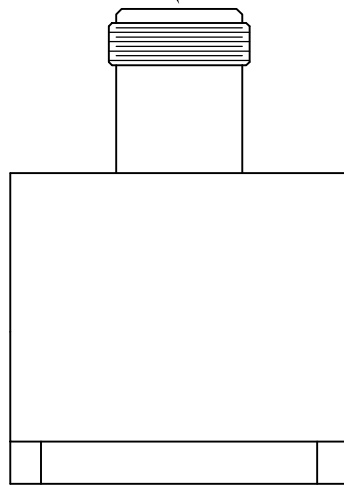


STD TYPE-N(F) CONNECTOR



THIRD ANGLE PROJECTION:	APPROVALS	DATE	ADVANCED TECHNICAL MATERIALS, INC. TEL: (631) 289-0363 FAX: (631) 289-0358 www.atmmicrowave.com	THE INFORMATION IN THIS DRAWING IS PROPRIETARY AND SHALL NOT BE USED OR DISCLOSED WITHOUT THE PRIOR WRITTEN CONSENT OF ATM, INC. DO NOT SCALE DWG.		
	DRAWN DM	03/05/13				
	CHKD.					
	APRVD.					
UNLESS OTHERWISE NOTED, DIMENSIONS ARE IN INCHES, TOLERANCES ARE: FRACTIONS: ±1/64 ANGLES: ±1/2° MACHINED FINISH 63 ✓ OR BETTER	MATERIAL ALUMINUM		OUTLINE WR75 ENDLAUNCH ADAPTER - TYPE-N		REVISION A	
DECIMALS 2 PLACE 3 PLACE	TREATMENT CHEM FILM				SIZE A CAGE CODE OR8N4 ATM DWG # 14599	SHEET 1/1
±.01 ±.005					SCALE NONE MODEL # 75-203A-6	