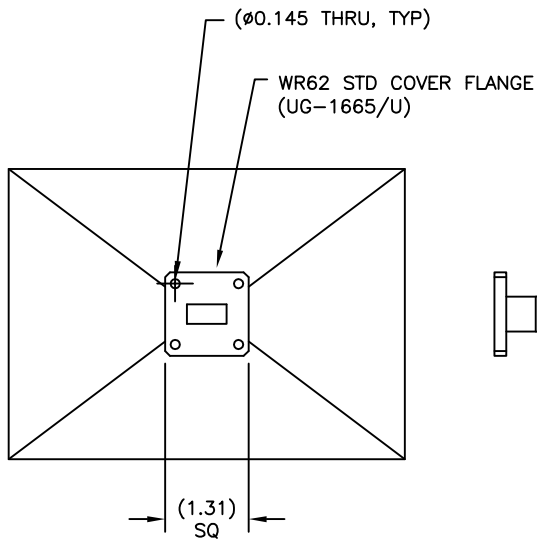
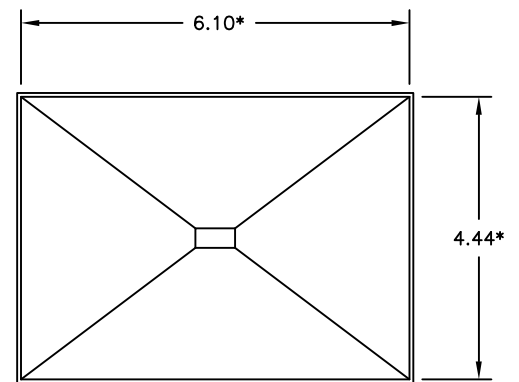
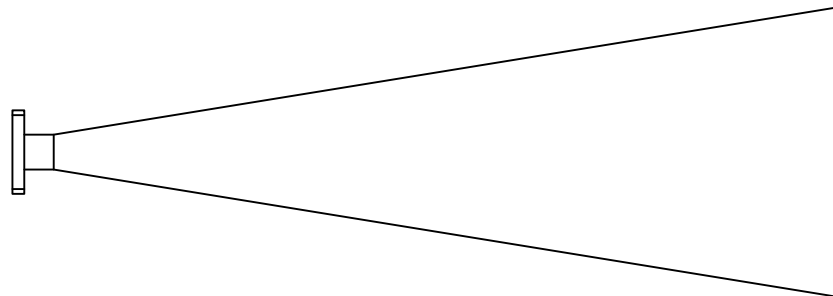
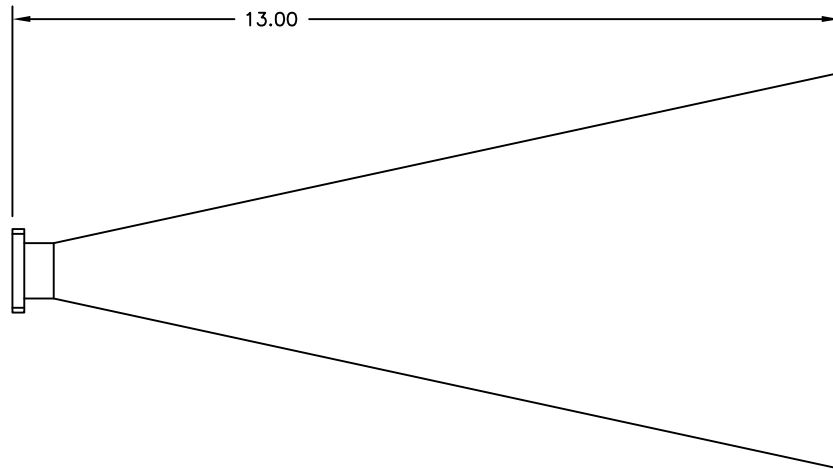


REV A	AUTH DM	DATE 10/04/13	INITIAL RELEASE
----------	------------	------------------	-----------------



*INSIDE DIMENSION

THIRD ANGLE PROJECTION:		APPROVALS	DATE	ADVANCED TECHNICAL MATERIALS, INC. TEL: (631) 289-0363 FAX: (631) 289-0358 www.atmmicrowave.com		THE INFORMATION IN THIS DRAWING IS PROPRIETARY AND SHALL NOT BE USED OR DISCLOSED WITHOUT THE PRIOR WRITTEN CONSENT OF ATM, INC. DO NOT SCALE DWG.	
UNLESS OTHERWISE NOTED, DIMENSIONS ARE IN INCHES, TOLERANCES ARE: FRACTIONS: $\pm 1/64$ ANGLES: $\pm 1/2^\circ$ MACHINED FINISH 63 \checkmark OR BETTER		DRAWN DM	10/04/13	OUTLINE WR62 HORN - 24dB		REVISION A	
DECIMALS 2 PLACE 3 PLACE		CHKD.				SIZE A	CAGE CODE OR8N4
± 0.01 ± 0.005		APRVD.		SCALE NONE	MODEL # 62-443-6	SHEET 1/1	
		MATERIAL ALUMINUM					
		TREATMENT CHEM FILM					