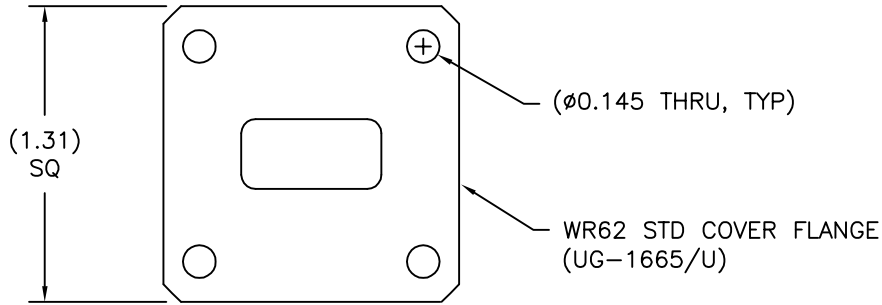
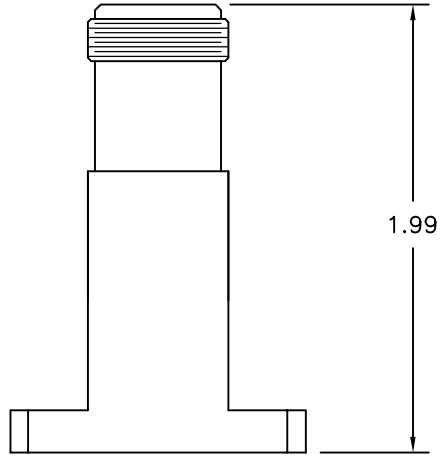
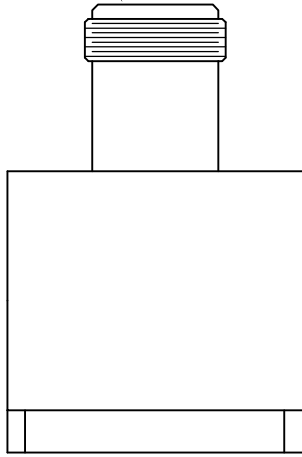


STD TYPE-N(F) CONNECTOR



THIRD ANGLE PROJECTION:	APPROVALS	DATE	ADVANCED TECHNICAL MATERIALS, INC. TEL: (631) 289-0363 FAX: (631) 289-0358 www.atmmicrowave.com	<small>THE INFORMATION IN THIS DRAWING IS PROPRIETARY AND SHALL NOT BE USED OR DISCLOSED WITHOUT THE PRIOR WRITTEN CONSENT OF ATM, INC. DO NOT SCALE DWG.</small>	
	DRAWN DM	03/05/13			
	CHKD.		<h2 style="text-align: center;">OUTLINE</h2> <h3 style="text-align: center;">WR62 ENDLAUNCH ADAPTER - TYPE-N</h3>		
	APRVD.				
UNLESS OTHERWISE NOTED, DIMENSIONS ARE IN INCHES, TOLERANCES ARE: FRACTIONS: ±1/64 ANGLES: ±1/2° MACHINED FINISH 63 ✓ OR BETTER	MATERIAL ALUMINUM	SIZE A	CAGE CODE OR8N4	ATM DWG # 14598	REVISION A
DECIMALS 2 PLACE 3 PLACE ±.01 ±.005	TREATMENT CHEM FILM	SCALE NONE	MODEL # 62-203A-6	SHEET 1/1	