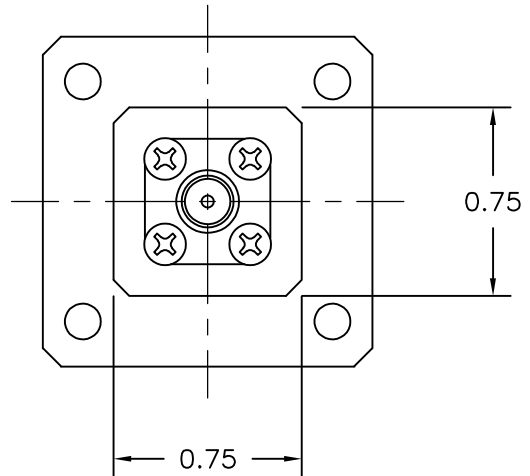
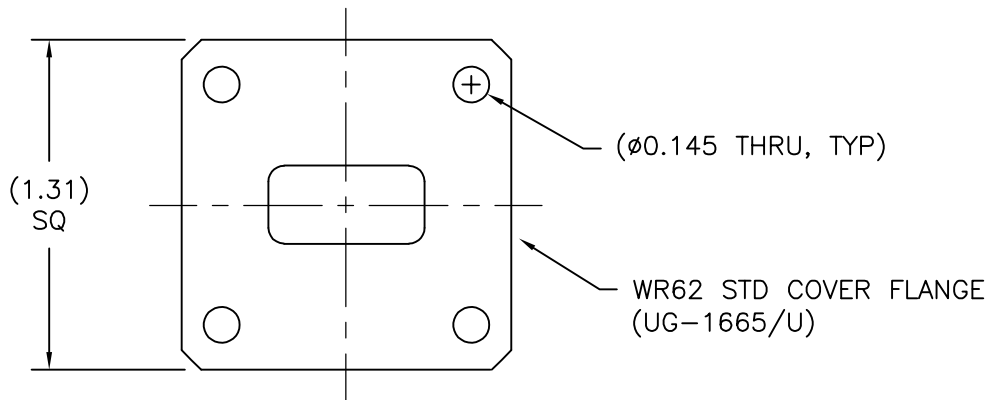
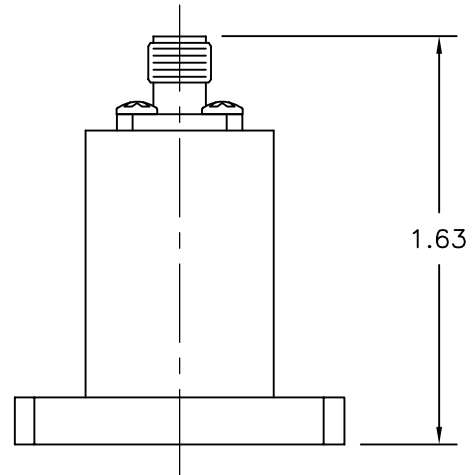
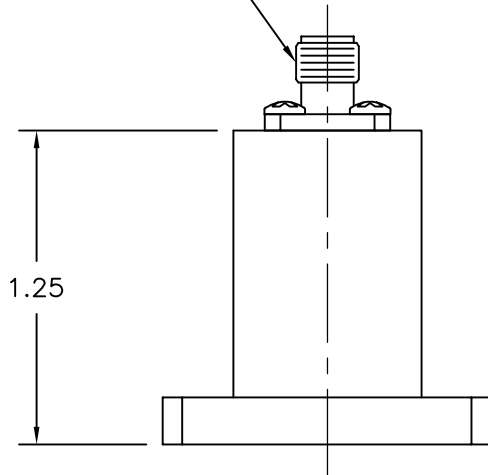


REV A	AUTH DM	DATE 03/04/13	INITIAL RELEASE
REV B	AUTH M.R.	DATE 08/29/16	UPDATED PER E.C.N. 08-29-16-01, HEIGHT DIM ADDED.



STD SMA(F) CONNECTOR



THIRD ANGLE PROJECTION:	APPROVALS	DATE	ADVANCED TECHNICAL MATERIALS, INC. TEL: (631) 289-0363 FAX: (631) 289-0358 www.atmmicrowave.com		<small>THE INFORMATION IN THIS DRAWING IS PROPRIETARY AND SHALL NOT BE USED OR DISSEMINATED WITHOUT THE PRIOR WRITTEN CONSENT OF ATM, INC. DO NOT SCALE DWG.</small>
	DRAWN DM	03/04/13			
	CHKD.		OUTLINE WR62 ENDLAUNCH ADAPTER - SMA		
	APRVD.				
UNLESS OTHERWISE NOTED, DIMENSIONS ARE IN INCHES, TOLERANCES ARE: FRACTIONS: ±1/64 ANGLES: ±1/2° MACHINED FINISH 63 ✓ OR BETTER	MATERIAL ALUMINUM	SIZE A CAGE CODE OR8N4 ATM DWG # 14587 REVISION B		SHEET 1/1	
DECIMALS 2 PLACE 3 PLACE ±.01 ±.005	TREATMENT CHEM FILM	SCALE NONE MODEL # 62-201A-6			