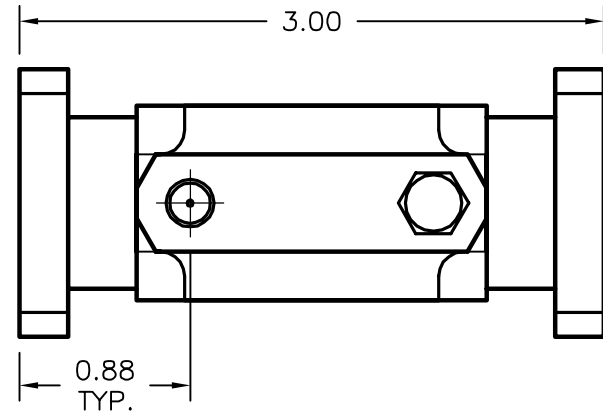


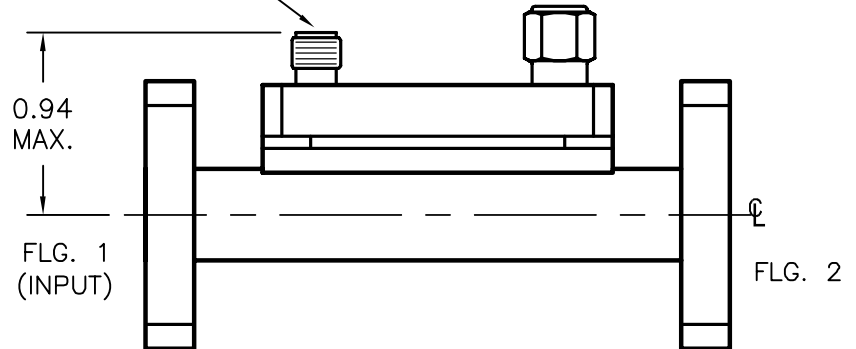
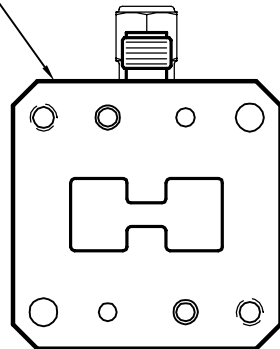
DOUBLE RIDGE FLANGE TYPES		
DESIGNATION	TYPE	HOLE PATTERN
C1	COVER	ALL THRU/TAPPED
C2		ALL TAPPED
C3		ALL THROUGH
G1	GROOVE	ALL THRU/TAPPED
G2		ALL TAPPED
G3		ALL THROUGH

REV A	AUTH RL	DATE 02/14/01	INITIAL RELEASE
REV B	AUTH JLE	DATE 9/21/04	FORMAT UPDATE, STD. SPECS UPDATED. DELETED 'WR' FLANGES. MODEL 580-307-XX-XX-XX WAS: 580-109A-X-X
REV C	AUTH RL	DATE 09/15/06	DWG REDRAWN FOR WEB: SECTION A-A REMOVED; DIMSTYLE, NOTES, FORMAT UPDATED.



SMA (F) CONN., 1/4-36 UNS-2A THD.  
 FWD. COUPLED PORT WHEN FLG. 1 IS INPUT  
 REV. COUPLED PORT WHEN FLG. 2 IS INPUT

WRD580 FLANGE  
 PER ORDER, SEE TABLE



**MODEL SPECIFICATIONS**

**MECHANICAL**

MODEL NUMBER: 580-307-XX-XX-XX  
 MATERIAL:  
 BODY: 6061/T-6 ALUM. STD.  
 CONNECTORS: STAINLESS STEEL  
 FINISH: UNIQUE CORROSION RESISTANT  
 316 STAINLESS STEEL EPOXY COATING  
 FLANGES: TYPE C3 STANDARD, SEE TABLE

**ELECTRICAL**

FREQ. RANGE: 5.0 - 18.0 GHz  
 VSWR: 1.07 TYP., 1.35 MAX.  
 COUPLING: 30, 40, 50, & 60 STD.  
 NOMINAL COUPLING: +/- 1.00 dB TYP.  
 FREQ. SENSITIVITY: 15dB MIN., 20dB TYP.

THIRD ANGLE PROJECTION:		APPROVALS	DATE	<b>ADVANCED TECHNICAL MATERIALS, INC.</b> TEL: (631) 289-0363 FAX: (631) 289-0358 www.atmmicrowave.com	<small>THE INFORMATION IN THIS DRAWING IS PROPRIETARY AND SHALL NOT BE USED OR DISCLOSED WITHOUT THE PRIOR WRITTEN CONSENT OF ATM INC. DO NOT SCALE DWG.</small>
UNLESS OTHERWISE NOTED, DIMENSIONS ARE IN INCHES, TOLERANCES ARE: FRACTIONS: ±1/64 ANGLES: ±1/2°		DRAWN <b>RL</b>	09/15/06		
BASIC DIMENSION	DECIMALS 2 PLACE 3 PLACE	CHKD.	APRVD.	<b>OUTLINE, LOOP COUPLER, WRD580, SMA</b>	
UNDER 6"	±.02 ±.005	MATERIAL	SEE NOTES		
6" - 12"	±.03 ±.010	TREATMENT	IRIDITE		
OVER 12"	±.06 ±.015	FINISH	ATM STD. GREY	SIZE <b>A</b>	CAGE CODE 0R8N4
				ATM DWG #	4078W
				SCALE	1 : 1
				MODEL #	SEE NOTES
				REVISION	C
				SHEET	1/1