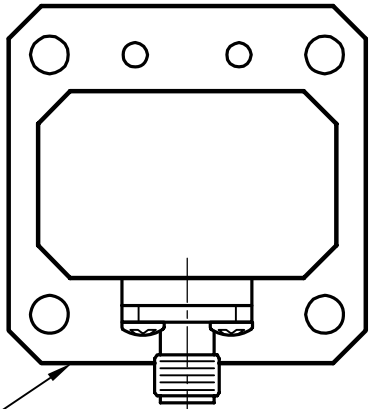


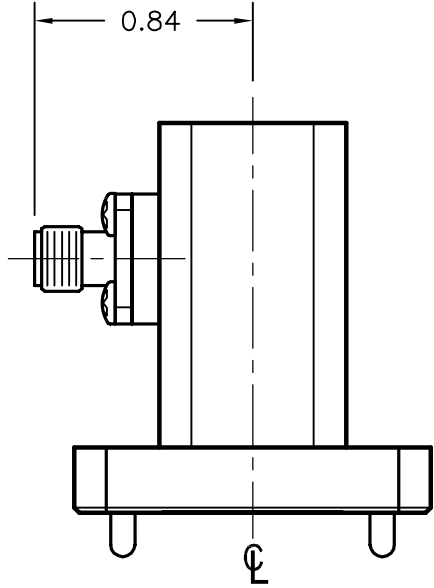
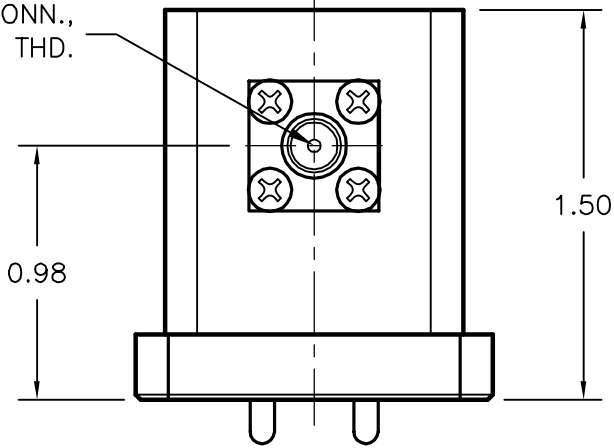
| | | | |
|----------|-------------|------------------|-------------------------------|
| REV - | AUTH RL | DATE 06/24/04 | INITIAL RELEASE |
| REV A | AUTH DRH | DATE 07/01/05 | FORMAT UPDATE |
| REV B | AUTH RL | DATE 09/13/06 | FORMAT UPDATE, NOTES REVISED. |



FLANGE PER ORDER,
SEE TABLE

| *FLANGE TYPES | | |
|---------------|--------|------------------|
| C1 | COVER | ALT. THRU/TAPPED |
| C2 | COVER | ALL TAPPED |
| C3 | COVER | ALL THROUGH |
| G1 | GROOVE | ALT. THRU/TAPPED |
| G2 | GROOVE | ALL TAPPED |
| G3 | GROOVE | ALL THROUGH |

SMA-F CONN.,
1/4-36 UNS-2A THD.



PERFORMANCE SPECIFICATIONS

MODEL NUMBER: 580-251-FLANGE TYPE*
 WG SIZE: WRD580
 FREQ: 5.8 - 16.0 GHz
 MAX. VSWR: 1.25
 FLANGE TYPE: SEE TABLE
 FINISH: UNIQUE CORROSION RESISTANT
 316 STAINLESS STEEL EPOXY

| | | | | | |
|---|-----------------------------|--------------------------|-----------------|--|---|
| THIRD ANGLE PROJECTION: | | APPROVALS | DATE | ADVANCED TECHNICAL MATERIALS, INC. TEL: (631) 289-0363 FAX: (631) 289-0358 www.atmmicrowave.com | <small>THE INFORMATION IN THIS DRAWING IS PROPRIETARY AND SHALL NOT BE USED OR DISCLOSED WITHOUT THE PRIOR WRITTEN CONSENT OF ATM, INC. DO NOT SCALE DWG.</small> |
| UNLESS OTHERWISE NOTED, DIMENSIONS ARE IN INCHES, TOLERANCES ARE: FRACTIONS: ±1/64 ANGLES: ±1/2° | | DRAWN RL | 09/13/06 | | |
| BASIC DIMENSION | DECIMALS 2 PLACE 3 PLACE | APRVD. | | OUTLINE, WRD580 SMA - WAVEGUIDE ADAPTER | |
| UNDER 6" | ±.02 ±.005 | MATERIAL ALUM. | | | |
| 6" - 12" | ±.03 ±.010 | TREATMENT IRIDITE | | | |
| OVER 12" | ±.06 ±.015 | FINISH SEE NOTES | | SIZE A CAGE CODE 0R8N4 ATM DWG # 2163W REVISION B SCALE NONE MODEL # 580-251-XX SHEET 1/1 | |