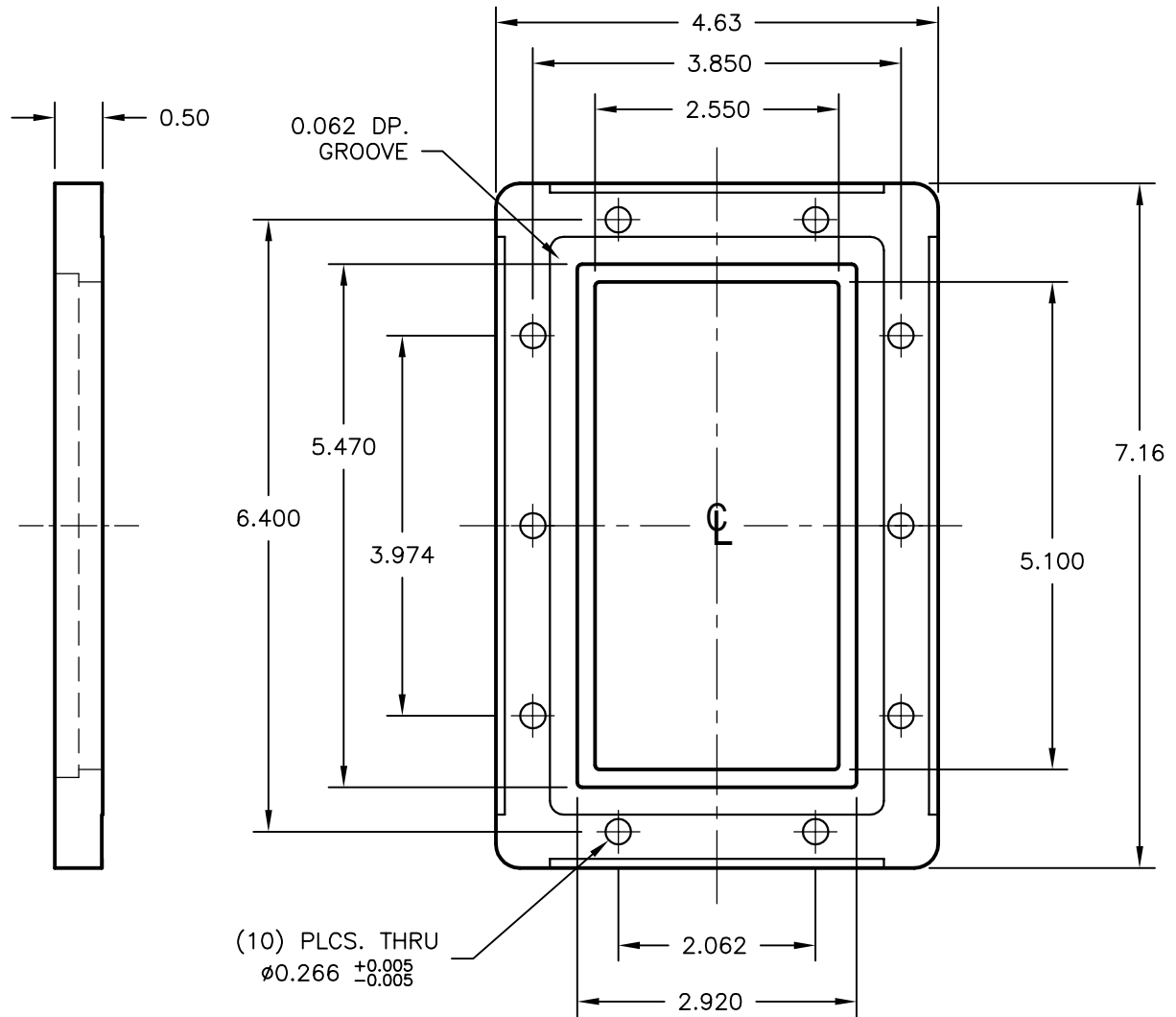


EQUIVALENT TO;

TYPE	MATERIAL
UG 1719/U	ALUMINUM
UG 1718/U	BRASS



NOTES:

1. FLANGE SHOWN IS ATM STANDARD FLANGE FOR WAVEGUIDE TYPE NOTED. OTHER FLANGE TYPES ARE AVAILABLE UPON REQUEST.
2. ALL DRAWINGS INDICATE APPLICABLE MATING DIMENSIONS. NON INTERFACE VARIABLES SUCH AS THICKNESS, CORRAL DIMENSIONS, AND MATERIALS MAY VARY DEPENDING ON PRODUCT CONFIGURATION.

THIRD ANGLE PROJECTION:	APPROVALS	DATE	<b>ADVANCED TECHNICAL MATERIALS, INC.</b> TEL: (631) 289-0363 FAX: (631) 289-0358 www.atmmicrowave.com		<small>THE INFORMATION IN THIS DRAWING IS PROPRIETARY AND SHALL NOT BE USED OR DISCLOSED WITHOUT THE PRIOR WRITTEN CONSENT OF ATM, INC. DO NOT SCALE DWG.</small>	
UNLESS OTHERWISE NOTED, DIMENSIONS ARE IN INCHES, TOLERANCES ARE: FRACTIONS: ±1/64 ANGLES: ±1/2° MACHINED FINISH 63 ✓ OR BETTER	DRAWN <b>M.R.</b>	09/17/15	<b>WR510 FLANGE</b> STANDARD CPR510G			
	CHKD.					
	APRVD.		SIZE <b>A</b>	CAGE CODE <b>OR8N4</b>	ATM DWG # <b>17072</b>	REVISION <b>A</b>
DECIMALS 2 PLACE 3 PLACE	MATERIAL -		SCALE <b>1 : 1</b>	MODEL # <b>510-1</b>		SHEET <b>1/1</b>
±.01 ±.005	TREATMENT -					
	FINISH -					