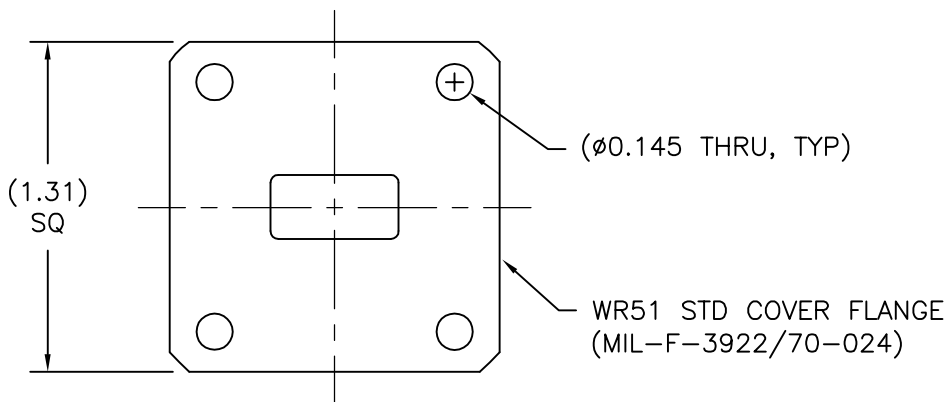
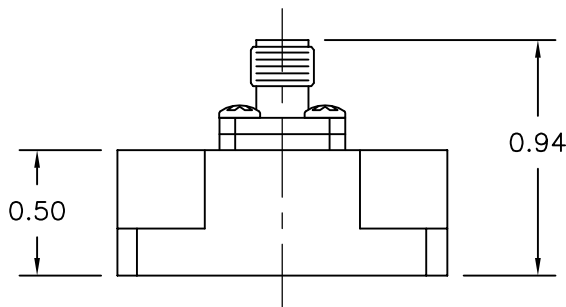
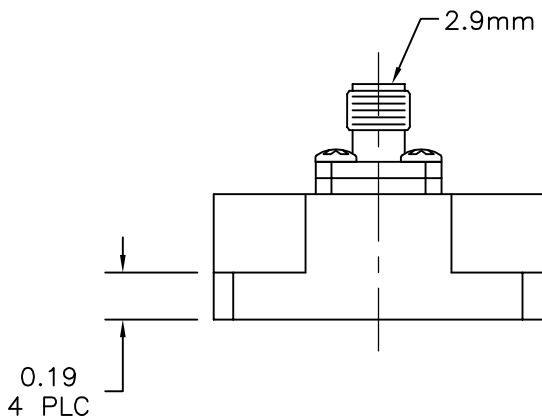
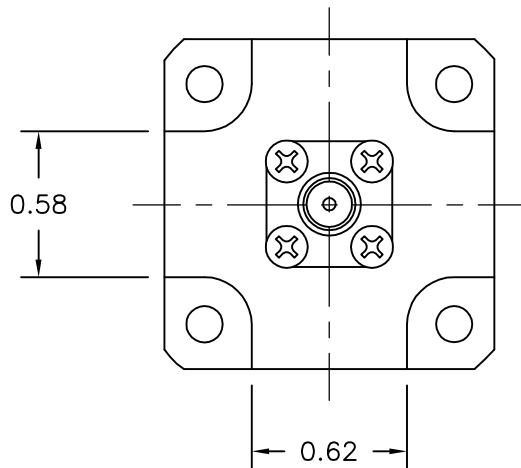


APPLICATION TABLE		
MODEL#	FREQUENCY RANGE GHz	VSWR
51-20KZA-6	15.0-22.0	1.30 MAX
51ka-20KB-6	18.3-20.2	1.21 MAX
51ka-20KPrB-6	18.3-20.2	1.12 MAX



THIRD ANGLE PROJECTION:	UNLESS OTHERWISE NOTED, DIMENSIONS ARE IN INCHES, TOLERANCES ARE: FRACTIONS: ±1/64 ANGLES: ±1/2° MACHINED FINISH 63 ✓ OR BETTER	APPROVALS DRAWN M.R. CHKD. APRVD.	DATE 03/17/16	ADVANCED TECHNICAL MATERIALS, INC. TEL: (631) 289-0363 FAX: (631) 289-0358 www.atmmicrowave.com	THE INFORMATION IN THIS DRAWING IS PROPRIETARY AND SHALL NOT BE USED OR DISCLOSED WITHOUT THE PRIOR WRITTEN CONSENT OF ATM, INC. DO NOT SCALE DWG.	
	DECIMALS 2 PLACE 3 PLACE ±.01 ±.005	MATERIAL PER ORDER TREATMENT CHEM FILM FINISH	SCALE NONE		OUTLINE WR51 COMPACT ENDLAUNCH ADAPTER - 2.9mm	
	SIZE A	CAGE CODE OR8N4	ATM DWG # 16238	MODEL # SEE TABLE	SHEET 1/1	