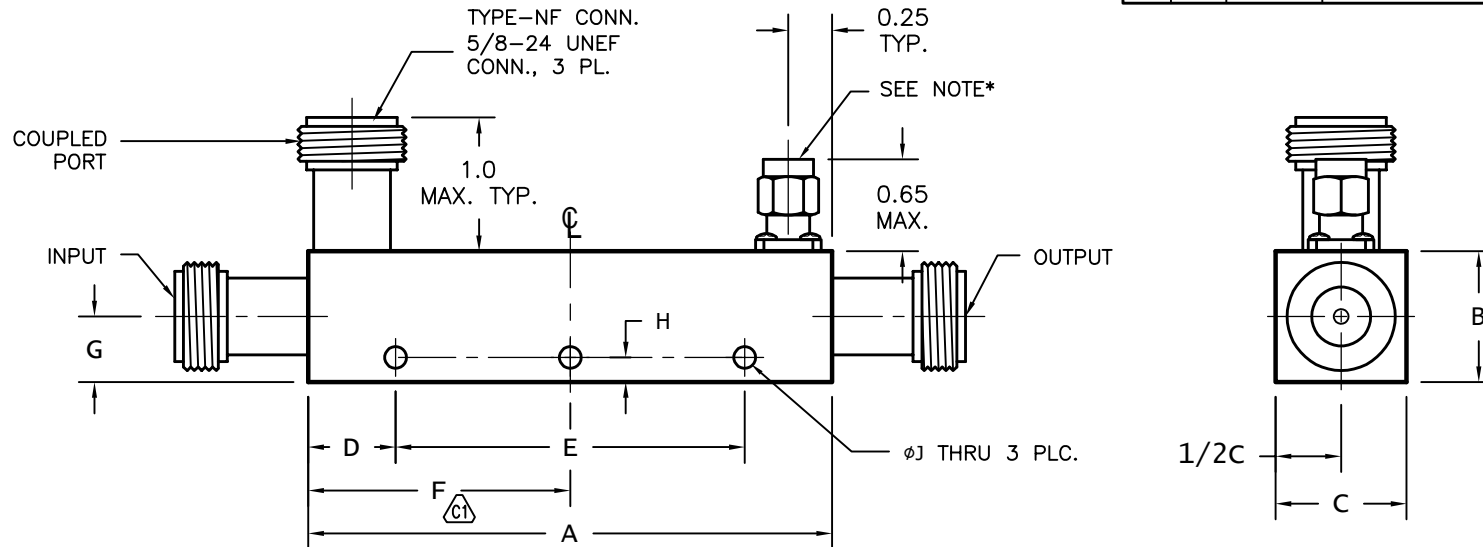


REV A	BY RL	DATE 8/8/01	INITIAL RELEASE
B	RL	08/24/07	TITLE BLOCK UPDATED, TERMINATION NOTES ADDED.
C	M.R.	7/3/08	WAS MIS-LABELED AS "E" $\triangleleft$ C1
D	M.R.	05/29/12	RE-LABELED, TABLE UPDATED
E	RL	3-9-2018	TITLE BLOCK UPDATE
F	RL	3-9-2018	TABLE UPDATES, ROW 18 REMOVED
G	RL	5-14-2020	DIM 'H' ADDED.



DIMENSIONS IN INCHES									
FIGURE	A	B	C	D	E	F	G	H	J
1	3.60	0.63	0.63	0.50	2.60	---	0.25	0.094	0.105
2	3.60	0.60	0.63	0.50	2.60	---	0.22	0.075	0.105
3	3.70	0.70	0.63	0.50	2.70	---	0.22	0.075	0.105
4	2.90	0.68	0.63	0.45	2.00	---	0.34	0.150	0.144
5	2.90	0.60	0.63	0.45	2.00	---	0.22	0.075	0.075
6	1.78	0.68	0.63	0.45	0.875	---	0.34	0.150	0.149
7	1.88	0.60	0.63	0.44	1.00	---	0.22	0.075	0.105
8	1.22	0.55	0.63	0.42	0.375	---	0.22	0.075	0.105
9	1.22	0.60	0.63	0.42	0.375	---	0.22	0.075	0.105
10	1.00	0.70	0.50	---	---	0.50	0.22	0.100	0.105
11	4.40	0.60	0.63	0.50	3.40	---	0.24	0.100	0.105
12	3.47	0.70	0.63	0.74	2.00	---	0.26	0.100	0.105
13	3.47	0.70	0.63	0.74	2.00	---	0.26	0.100	0.105
14	2.10	0.75	0.63	0.55	1.00	---	0.26	0.100	0.105
15	2.09	0.75	0.63	0.55	1.00	---	0.26	0.100	0.105
16	1.36	0.60	0.63	0.43	0.50	---	0.26	0.090	0.105
17	1.36	0.66	0.63	0.43	0.50	---	0.26	0.090	0.105

\*NOTE: SECONDARY TERMINATION CAN BE INTERNAL OR EXTERNAL DEPENDING ON MODEL AND SHOULD NOT BE REMOVED. FOR CONNECTORIZED LOADS CONSULT FACTORY.

THIRD ANGLE PROJECTION:	APPROVALS	DATE		L-3 Narda - ATM		THE INFORMATION IN THIS DRAWING IS PROPRIETARY AND SHALL NOT BE USED OR DISCLOSED WITHOUT THE PRIOR WRITTEN CONSENT OF ATM, INC. DO NOT SCALE DWG.
UNLESS OTHERWISE NOTED, DIMENSIONS ARE IN INCHES, TOLERANCES ARE:  FRACTIONS: $\pm 1/64$ ANGLES: $\pm 1/2^\circ$  MACHINED FINISH 63 $\checkmark$ OR BETTER	DRAWN RL	8-8-2001		TEL: (631) 289-0363 FAX: (631) 289-0358	www.atmmicrowave.com	
DECIMALS 2 PLACE   3 PLACE	CHKD.		OUTLINE, DIRECTIONAL COUPLER, TYPE-N, MULTI-BAND			
$\pm 0.1$   $\pm 0.005$	APRVD.					
	MATERIAL -		SIZE A	CAGE CODE OR8N4	ATM DWG # 4518W	REVISION G
	TREATMENT -		SCALE 1 : 1	MODEL # C22XX-XX		SHEET 1/1
	FINISH ATM STD GRAY					