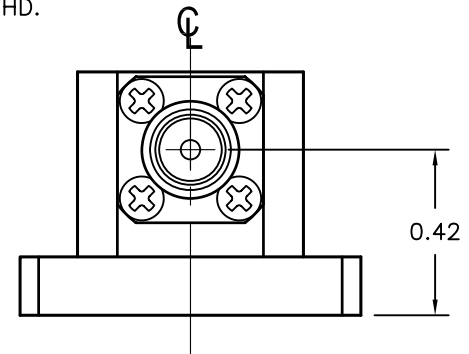
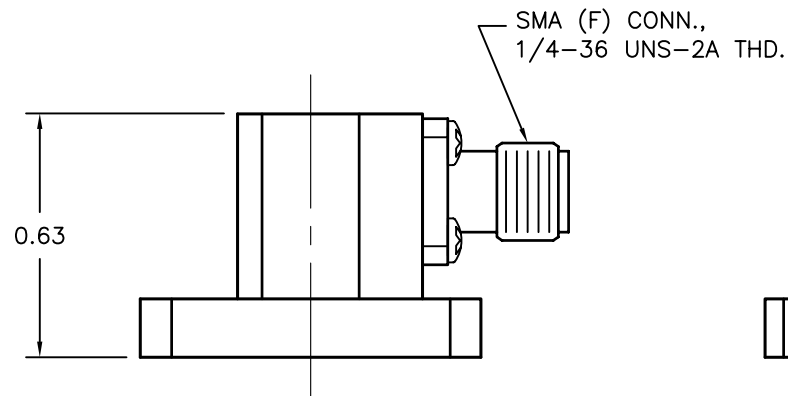
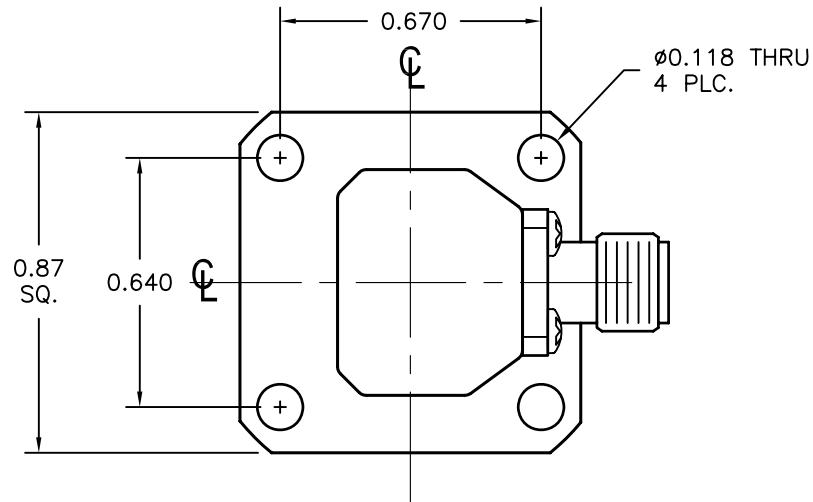


REV A	AUTH RL	DATE 11/03/07	INITIAL RELEASE
REV B	AUTH M.R.	DATE 7/7/11	VSWR CHANGED, WAS 1.20 MAX



MODEL SPECIFICATIONS

MECHANICAL

MODEL NUMBER: 42-251ZA-6

MATERIAL:

BODY: 6061/T-6 ALUM.

CONNECTORS: STAINLESS STEEL

FINISH: UNIQUE CORROSION RESISTANT

FLANGES: 316 STAINLESS STEEL EPOXY COATING

UG-COVER STD., OTHERS AVAILABLE UPON REQUEST

ELECTRICAL

FREQ. RANGE: 18.0-26.5 GHz

POWER: 50 CW, 3kW PEAK

VSWR: 1.25 MAX.

THIRD ANGLE PROJECTION:		APPROVALS	DATE		ADVANCED TECHNICAL MATERIALS, INC.		THE INFORMATION IN THIS DRAWING IS PROPRIETARY AND SHALL NOT BE USED OR DISCLOSED WITHOUT THE PRIOR WRITTEN CONSENT OF ATM, INC. DO NOT SCALE DWG.
UNLESS OTHERWISE NOTED, DIMENSIONS ARE IN INCHES, TOLERANCES ARE: FRACTIONS: ±1/64 ANGLES: ±1/2°		DRAWN RL	11/03/07		TEL: (631) 289-0363 FAX: (631) 289-0358		
BASIC DIMENSION		DECIMALS 2 PLACE	3 PLACE	APRVD.	<p style="text-align: center;">OUTLINE, WR42 W/G COAX ADAPTER,</p>		
UNDER 6"	±.02	±.005	MATERIAL -				
6" - 12"	±.03	±.010	TREATMENT -				
OVER 12"	±.06	±.015	FINISH -				
SIZE A	CAGE CODE OR8N4	ATM DWG #	8234	REVISION	B		
SCALE	NONE	MODEL #	42-251ZA-6	SHEET	1/1		