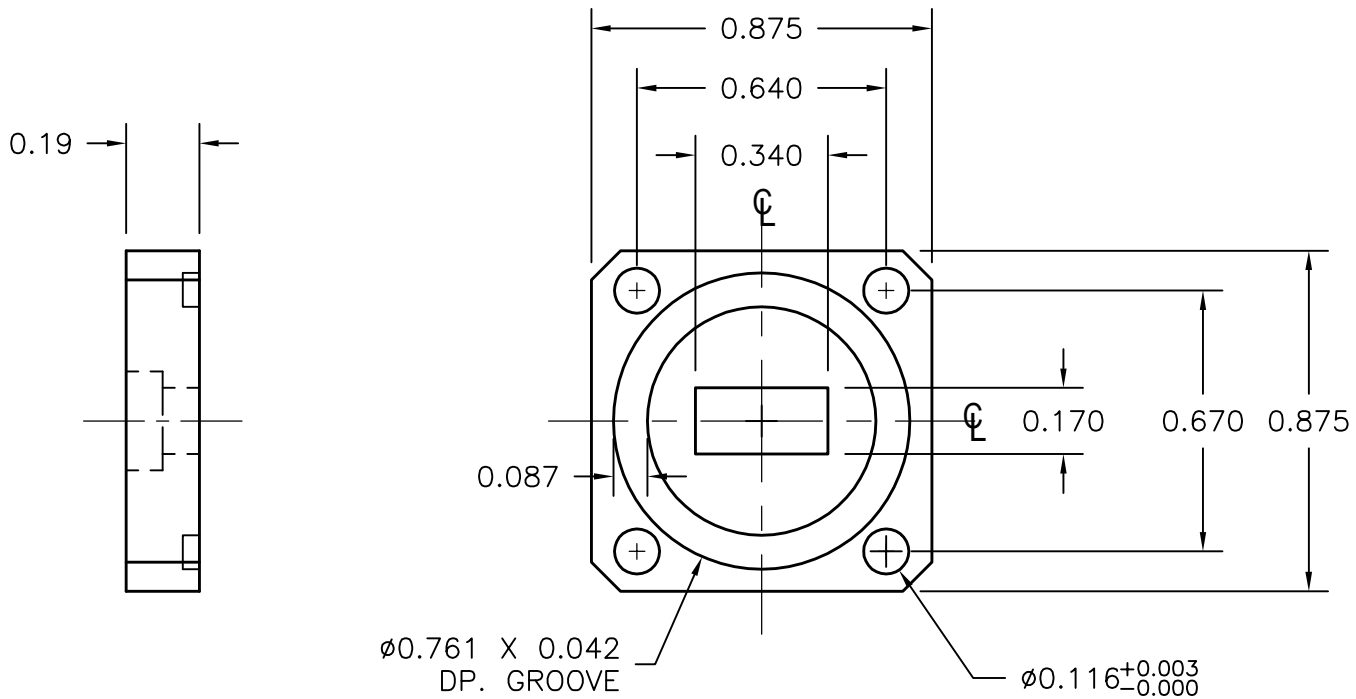


REV A	AUTH RL	DATE 06/07/07	INITIAL RELEASE
REV B	AUTH MR	DATE 04/21/14	HOLES CORRECTED, WERE 4-40UNC THRU. PER ECN 04-21-14-01



THIRD ANGLE PROJECTION:		APPROVALS	DATE	ADVANCED TECHNICAL MATERIALS, INC. TEL: (631) 289-0363 FAX: (631) 289-0358 www.atmmicrowave.com		THE INFORMATION IN THIS DRAWING IS PROPRIETARY AND SHALL NOT BE USED OR DISCLOSED WITHOUT THE WRITTEN CONSENT OF ATM. II DO NOT SCALE DWG.
UNLESS OTHERWISE NOTED, DIMENSIONS ARE IN INCHES, TOLERANCES ARE: FRACTIONS: ±1/64 ANGLES: ±1/2°		DRAWN RL	06/07/07	WR34 FLANGE, COVER-GROOVE		REVISION B
		CHKD.				
BASIC DIMENSION	DECIMALS 2 PLACE 3 PLACE	APRVD.		SIZE A	CAGE CODE OR8N4	ATM DWG # 7261W
UNDER 6"	±.02 ±.005	MATERIAL PER ORDER		SCALE 1 : 1	MODEL # -	SHEET 1/1
6" - 12"	±.03 ±.010	TREATMENT -				
OVER 12"	±.06 ±.015	FINISH -				