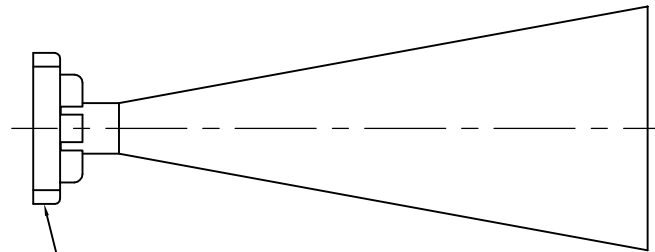
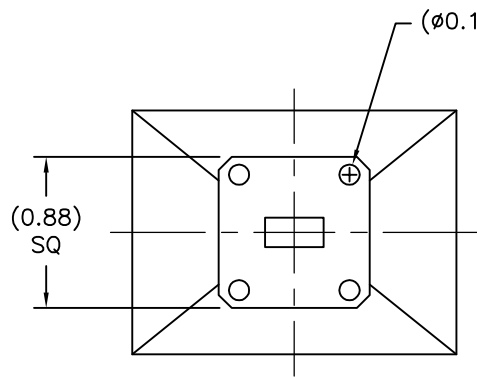
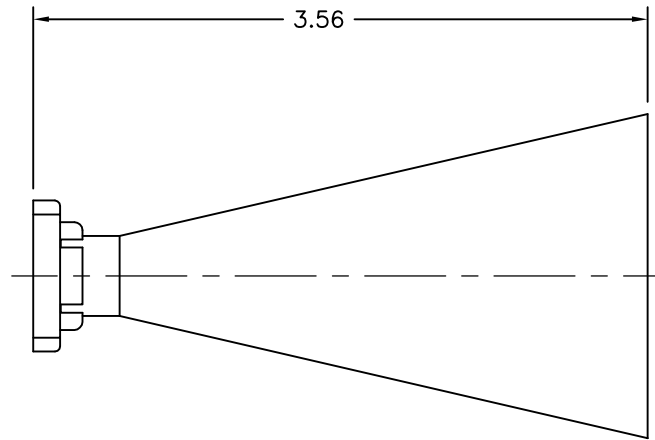
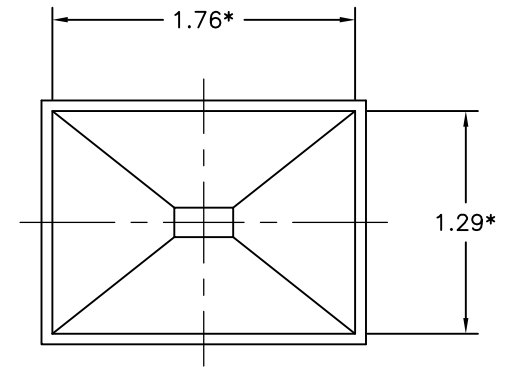


REV A	AUTH D.M.	DATE 07/30/12	INITIAL RELEASE
REV B	AUTH L.M.	DATE 07/14/14	CHANGE TOLERANCE OF 2 PLACE DECIMAL FROM: +/-0.01 TO: +/-0.03
REV C	AUTH M.R.	DATE 12/06/16	UPDATED FLANGE ILLUSTRATION, NO DIMENSIONAL CHANGES. FORMAT UPDATE
D	DM	05/04/17	UPDATED TITLE BLOCK



WR34 STD COVER FLANGE (UG-1530/U)



*INSIDE DIMENSION

***NOTE:** THESE DIMENSIONS ARE BASED ON THE FLANGE TYPE SHOWN ABOVE, AND MAY CHANGE WHEN OTHER FLANGE TYPES ARE SELECTED.

THIRD ANGLE PROJECTION:		APPROVALS		DATE		L-3 Narda - ATM TEL: (631) 289-0363 FAX: (631) 289-0358 www.atmmicrowave.com		<small>THE INFORMATION IN THIS DRAWING IS PROPRIETARY AND SHALL NOT BE USED OR DISCUSS WITHOUT THE PRIOR WRITTEN CONSENT OF ATM, INC. DO NOT SCALE DWG.</small>			
UNLESS OTHERWISE NOTED, DIMENSIONS ARE IN INCHES, TOLERANCES ARE: FRACTIONS: ±1/64 ANGLES: ±1/2° MACHINED FINISH 63 ✓ OR BETTER		DRAWN DM		05/02/17							
DECIMALS 2 PLACE 3 PLACE		MATERIAL ALUMINUM		SIZE A		CAGE CODE OR8N4		ATM DWG # 13957		REVISION D	
±.03 ±.005		TREATMENT -		SCALE NONE		MODEL # 34-442-6		SHEET 1/1			
		FINISH CHEM FILM									

OUTLINE
WR34 HORN, 20dB GAIN