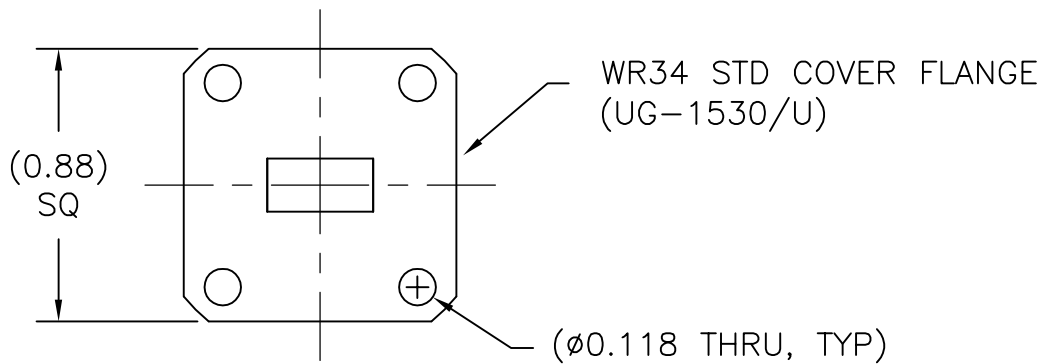
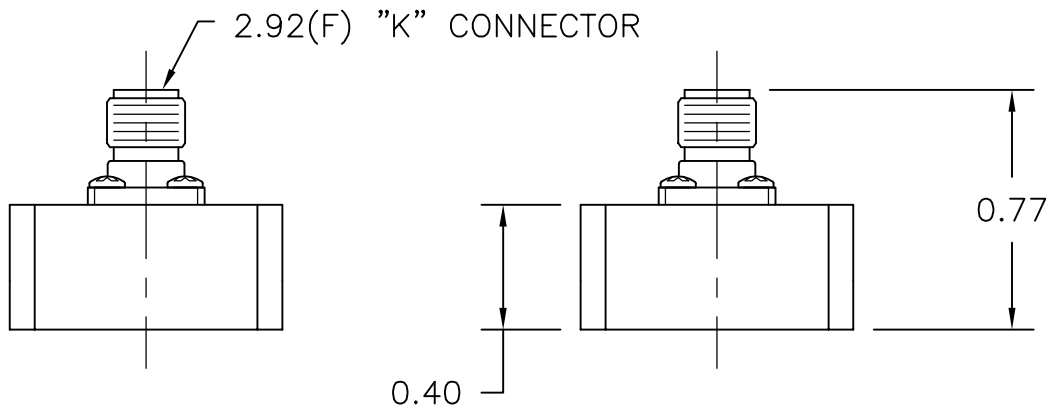
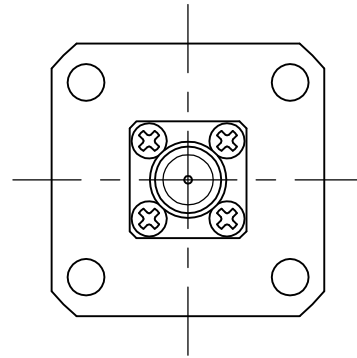


A	M.R.	07/27/15	INITIAL RELEASE
REV B	AUTH M.R.	DATE 03/17/16	ADDED APPLICATION TABLE

APPLICATION TABLE		
MODEL#	FREQUENCY RANGE GHz	VSWR
34-20KZA-6	22.0-33.0	1.30 MAX
34ka-20KB-6	27.5-31.0	1.21 MAX
34ka-20KPrB-6	27.5-31.0	1.12 MAX



THIRD ANGLE PROJECTION:	APPROVALS	DATE	<b>ADVANCED TECHNICAL MATERIALS, INC.</b> TEL: (631) 289-0363 FAX: (631) 289-0358 www.atmmicrowave.com	<small>THE INFORMATION IN THIS DRAWING IS PROPRIETARY AND SHALL NOT BE USED OR DISCLOSED WITHOUT THE PRIOR WRITTEN CONSENT OF ATM, INC. DO NOT SCALE DWG.</small>
	DRAWN M.R.	07/27/15		
	CHKD.		<b>OUTLINE</b> <b>WR34 COMPACT ENDLAUNCH ADAPTER</b>	
	APRVD.			
UNLESS OTHERWISE NOTED, DIMENSIONS ARE IN INCHES, TOLERANCES ARE:  FRACTIONS: ±1/64 ANGLES: ±1/2°  MACHINED FINISH 63 ✓ OR BETTER	MATERIAL PER ORDER		SIZE A CAGE CODE OR8N4 ATM DWG # 16235 REVISION B	
DECIMALS 2 PLACE 3 PLACE	TREATMENT CHEM FILM		SCALE NONE MODEL # SEE TABLE SHEET 1/1	
±.01 ±.005	FINISH			