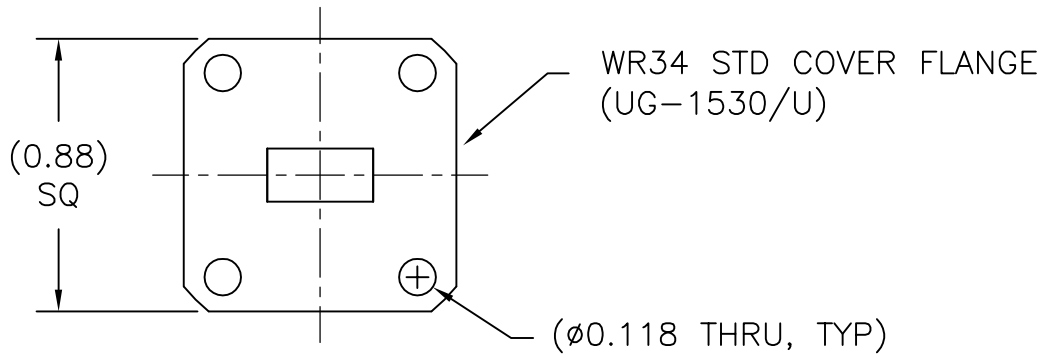
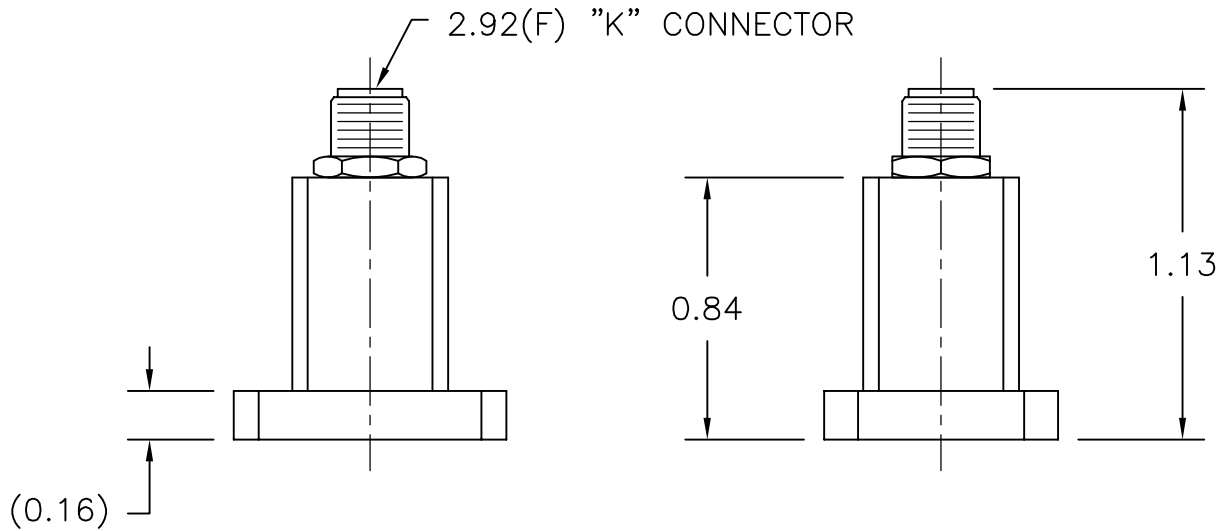
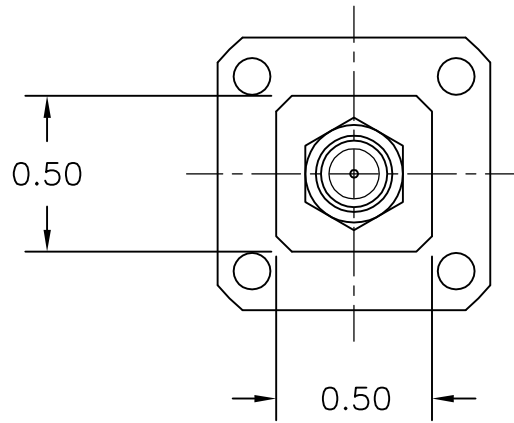


A	DM	03/04/13	INITIAL RELEASE
REV B	AUTH M.R.	DATE 08/16/17	PER E.C.N. UPDATED TO SHOW MACHINED BODY, LENGTH WAS 1.25.



THIRD ANGLE PROJECTION:	APPROVALS	DATE		L-3 Narda - ATM TEL: (631) 289-0363 FAX: (631) 289-0358 www.atmmicrowave.com	<small>THE INFORMATION IN THIS DRAWING IS PROPRIETARY AND SHALL NOT BE USED OR DISCLOSED WITHOUT THE PRIOR WRITTEN CONSENT OF L3 NARDA-ATM, INC. DO NOT SCALE DWG.</small>	
	DRAWN DM	03/04/13				
	UNLESS OTHERWISE NOTED, DIMENSIONS ARE IN INCHES, TOLERANCES ARE:	CHKD.		<b>OUTLINE</b> WR34 ENDLAUNCH ADAPTER		
	FRACTIONS: ±1/64 ANGLES: ±1/2°	APRVD.				
MACHINED FINISH 63 ✓ OR BETTER	MATERIAL ALUMINUM		SIZE A	CAGE CODE OR8N4	ATM DWG # 14584	REVISION B
DECIMALS 2 PLACE 3 PLACE	TREATMENT CHEM FILM		SCALE NONE	MODEL # 34-20KA-6		SHEET 1/1
±.01 ±.005	FINISH					