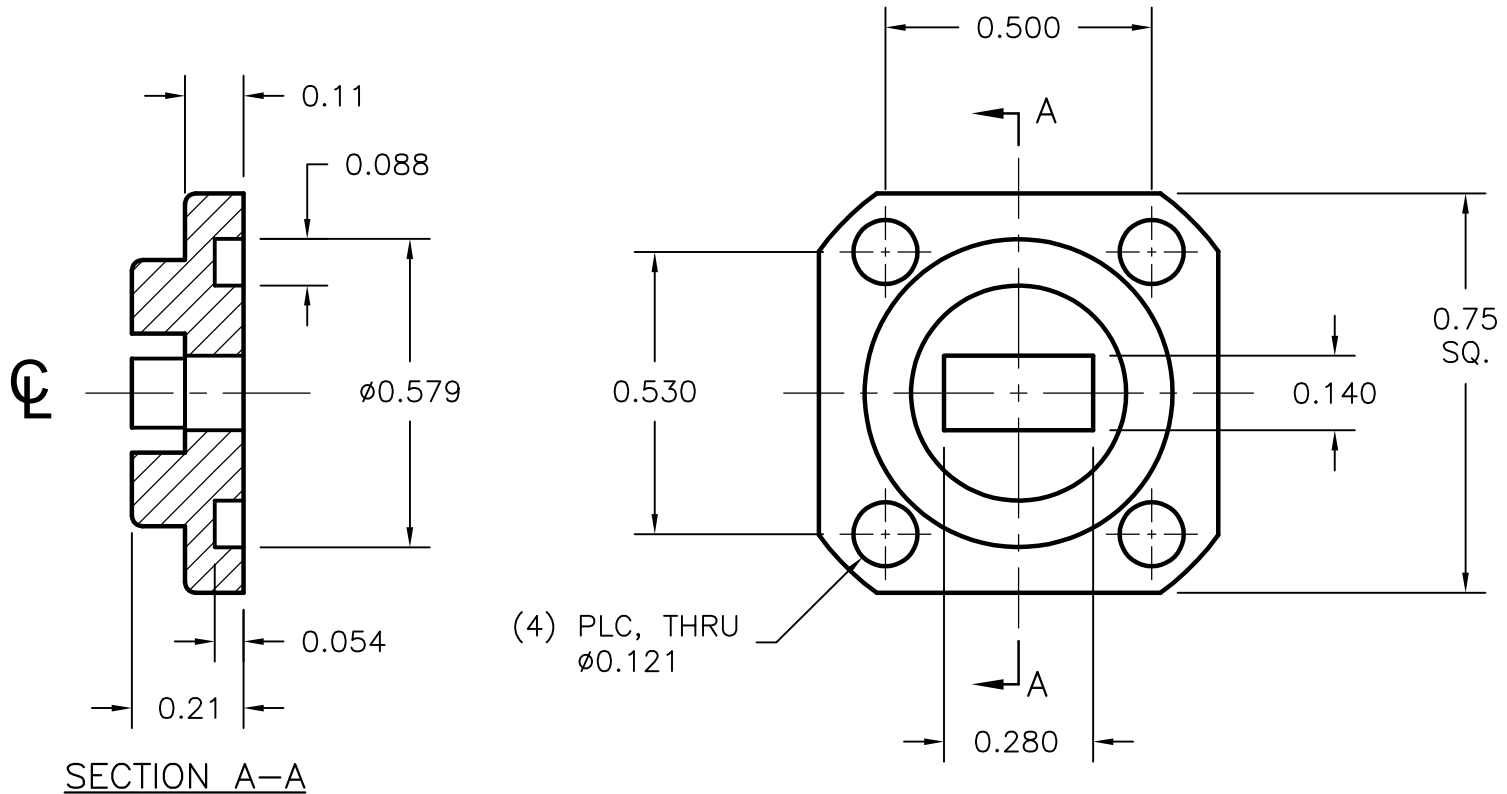


REV A	AUTH M.R.	DATE 8/16/10	INITIAL RELEASE
REV B	AUTH M.R.	DATE 01/25/17	GROOVE CORRECTED TO CEI / IEC 60154-2 STANDARD

EQUIVALENT TO;

TYPE	SPECIFY MATERIAL
PBR 320	ALUM. OR BRASS



NOTES:

1. FLANGE SHOWN IS ATM STANDARD FLANGE FOR WAVEGUIDE TYPE NOTED. OTHER FLANGE TYPES ARE AVAILABLE UPON REQUEST.
2. ALL DRAWINGS INDICATE APPLICABLE MATING DIMENSIONS. NON INTERFACE VARIABLES SUCH AS THICKNESS, CORRAL DIMENSIONS, AND MATERIALS MAY VARY DEPENDING ON PRODUCT CONFIGURATION.

THIRD ANGLE PROJECTION:		APPROVALS	DATE	ADVANCED TECHNICAL MATERIALS, INC. TEL: (631) 289-0363 FAX: (631) 289-0358 www.atmmicrowave.com	<small>THE INFORMATION IN THIS DRAWING IS PROPRIETARY AND SHALL NOT BE USED OR DISCLOSED WITHOUT THE WRITTEN CONSENT OF ATM. DO NOT SCALE DWG.</small>	
UNLESS OTHERWISE NOTED, DIMENSIONS ARE IN INCHES, TOLERANCES ARE: FRACTIONS: ±1/64 ANGLES: ±1/2°		DRAWN M.R.	8/16/10			
BASIC DIMENSION		CHKD.	APRVD.	WR28 FLANGE PBR 320		
DECIMALS 2 PLACE 3 PLACE		MATERIAL PER ORDER				
UNDER 6"	±.02 ±.005	TREATMENT -				
6" - 12"	±.03 ±.010	FINISH -		SIZE A	REVISION B	
OVER 12"	±.06 ±.015			CAGE CODE OR8N4	ATM DWG # 12160	
				SCALE NONE	MODEL # 28-PBR	SHEET 1/1