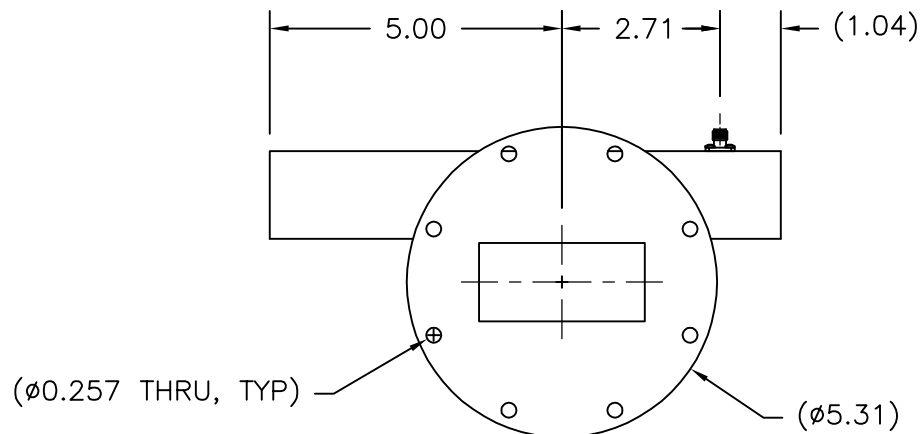


STD SMA(F) CONNECTOR
1/4-36 UNS-2A THD



($\phi 0.257$ THRU, TYP)

($\phi 5.31$)

WR284 STD COVER FLANGE
(UG-584/U)
2 PL

THIRD ANGLE PROJECTION:		APPROVALS	DATE	ADVANCED TECHNICAL MATERIALS, INC. TEL: (631) 289-0363 FAX: (631) 289-0358 www.atmmicrowave.com		THE INFORMATION IN THIS DRAWING IS PROPRIETARY AND SHALL NOT BE USED OR DISCLOSED WITHOUT THE PRIOR WRITTEN CONSENT OF ATM, INC. DO NOT SCALE DWG.			
UNLESS OTHERWISE NOTED, DIMENSIONS ARE IN INCHES, TOLERANCES ARE: FRACTIONS: $\pm 1/64$ ANGLES: $\pm 1/2^\circ$ MACHINED FINISH 63 \checkmark OR BETTER		DRAWN DM	06/05/13	OUTLINE WR284 CROSSGUIDE COUPLER - SMA		SIZE A	CAGE CODE OR8N4	ATM DWG # 14947	REVISION A
DECIMALS 2 PLACE 3 PLACE		CHKD.				SCALE NONE	MODEL # 284-303A-XX-6-6	SHEET 1/1	
± 0.01	± 0.005	APRVD.		MATERIAL ALUMINUM					
		TREATMENT CHEM FILM							