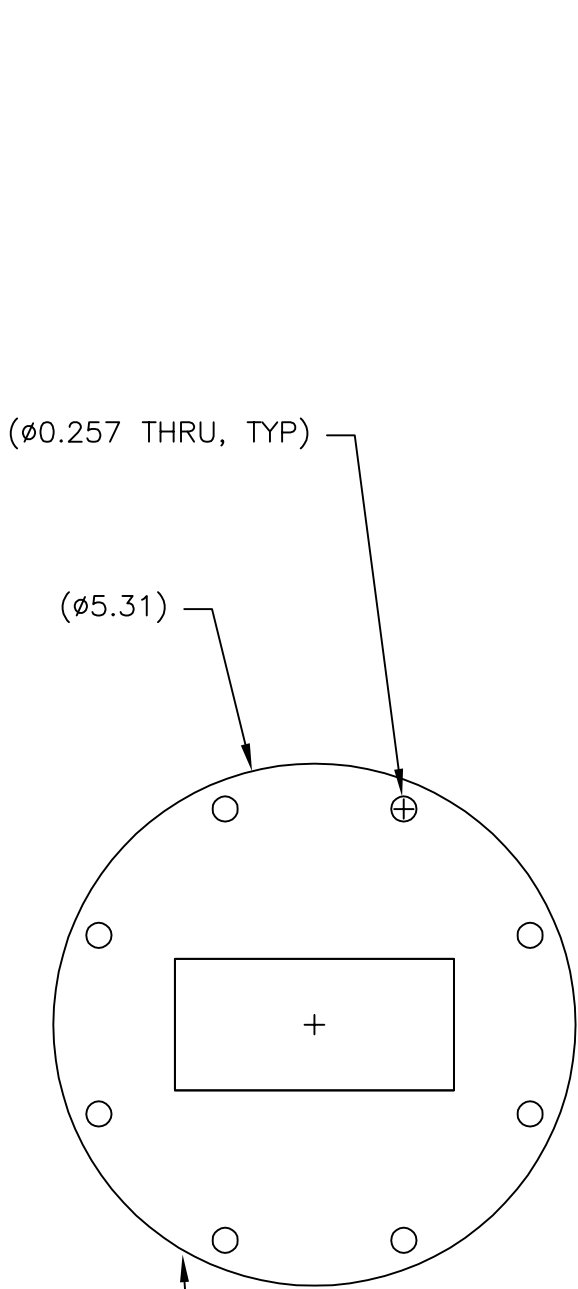


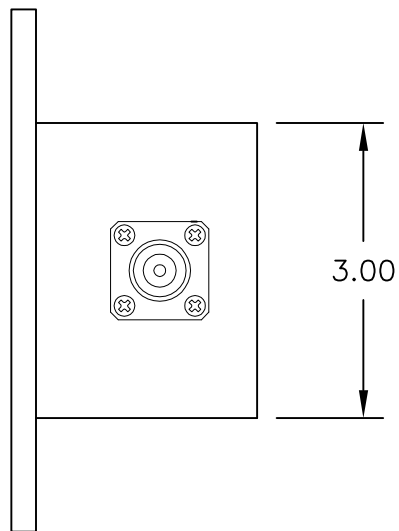
REV A	AUTH DM	DATE 07/26/12	INITIAL RELEASE
B	DM	06/04/13	REMOVED PAINT



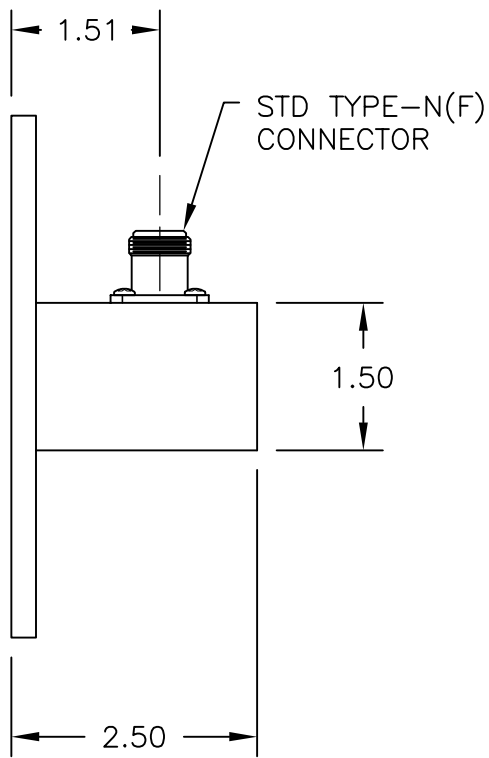
(ϕ 0.257 THRU, TYP)

(ϕ 5.31)

WR284 STD COVER FLANGE
(UG-584/U)



3.00



1.51

STD TYPE-N(F)
CONNECTOR

1.50

2.50

THIRD ANGLE PROJECTION:	APPROVALS	DATE		ADVANCED TECHNICAL MATERIALS, INC.		THE INFORMATION IN THIS DRAWING IS PROPRIETARY AND SHALL NOT BE USED OR DISCLOSED WITHOUT THE PRIOR WRITTEN CONSENT OF ATM, INC. DO NOT SCALE DWG.
UNLESS OTHERWISE NOTED, DIMENSIONS ARE IN INCHES, TOLERANCES ARE: FRACTIONS: \pm 1/64 ANGLES: \pm 1/2° MACHINED FINISH 63 ✓ OR BETTER	DRAWN DM	07/26/12		TEL: (631) 289-0363 FAX: (631) 289-0358	www.atmmicrowave.com	
	CHKD.		OUTLINE WR284 WG-COAX ADAPTER			
	APRVD.					
	MATERIAL ALUMINUM		SIZE A	CAGE CODE OR8N4	ATM DWG # 14160	REVISION B
DECIMALS 2 PLACE 3 PLACE	TREATMENT CHEM FILM		SCALE NONE	MODEL # 284-253A-6		SHEET 1/1
\pm .01	\pm .005					