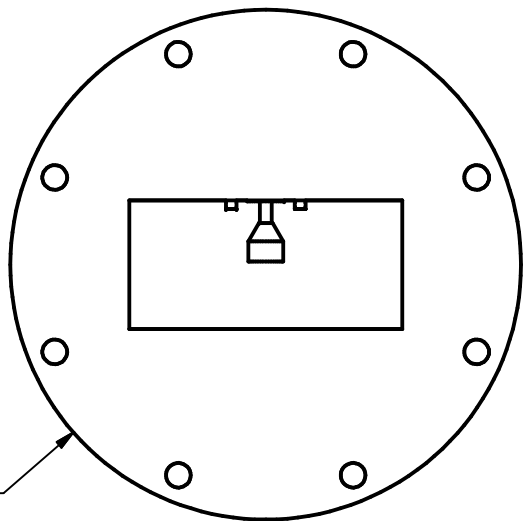
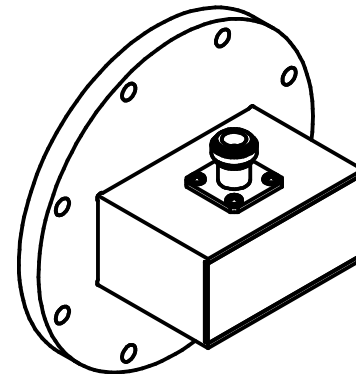
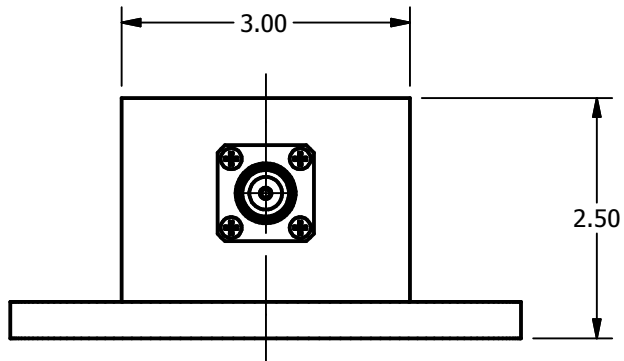
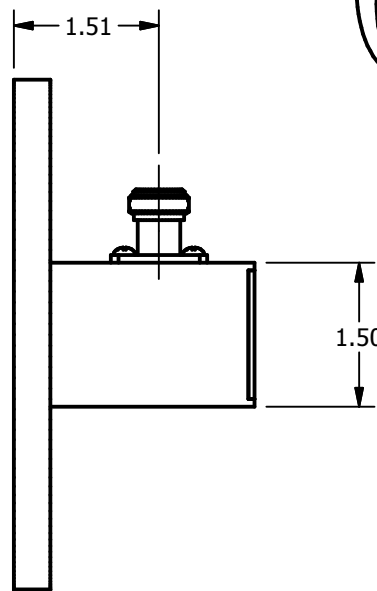


REVISION HISTORY			
REV	BY	DESCRIPTION	DATE
A	RL	INITIAL RELEASE	10-18-2018



WR284 STD
COVER FLANE
(UG-584/U)



SPECIFICATIONS:

MODEL: 284-253A-6
CONNECTOR: TYPE-N (F)
FREQ. RANGE: 2.60-3.95 GHz

USED ON:	QTY:	NEXT ASSY:	SHEET SIZE: A	THIRD ANGLE PROJECTION: 	DRAWN: RL	DATE: 10/18/2018	 L3-NARDA-ATM 49 Rider Ave, Patchogue, NY 11772 TEL: (631) 289-0363 FAX: (631) 289-0358 www.atmmicrowave.com CAGE CODE: 0R8N4	THE INFORMATION ON THIS DRAWING IS PROPRIETARY. DISCLOSURE OR USE IS PERMITTED WITH THE PRIOR WRITTEN CONSENT OF L3 NARDA-ATM, INC. ONLY.	
					CHKD.	DATE:			
			UNLESS OTHERWISE NOTED DIMENSIONS ARE IN INCHES; TOLERANCES ARE:		APRVD.	DATE:	MODEL # 284-253A-6	REVISION A	
			DECIMALS: 2 PLACE ±.01 3 PLACE ±.005 FRACTIONS: ± 1/64 ANGLES: ± 1/2°		TREATMENT	-			OUTLINE 284-TYPE-N(F) ADAPTER
			SURFACE FINISH: .63 √ OR BETTER		FINISH	-	MATERIAL PER ORDER	ATM DWG # 19349	