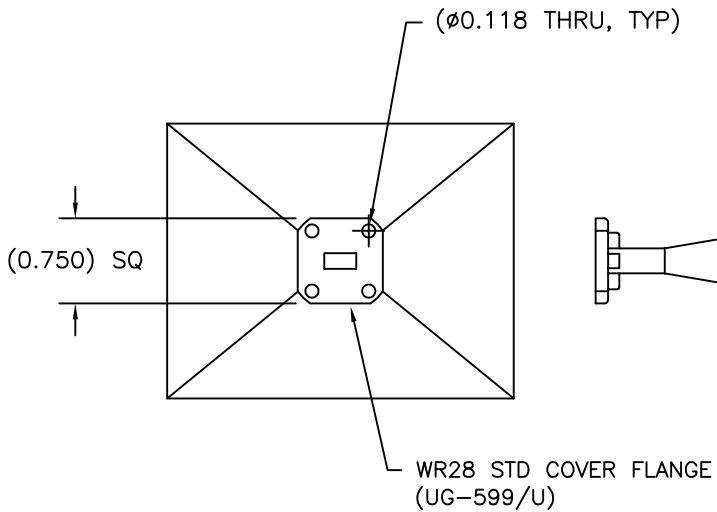
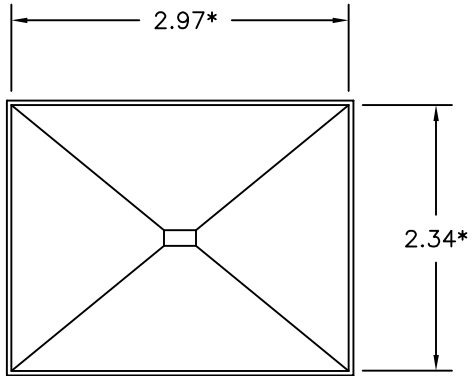
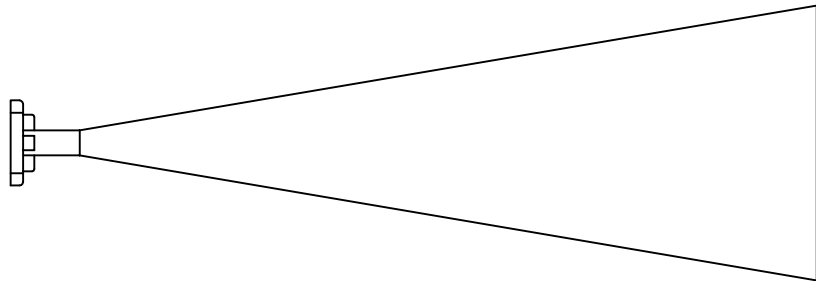
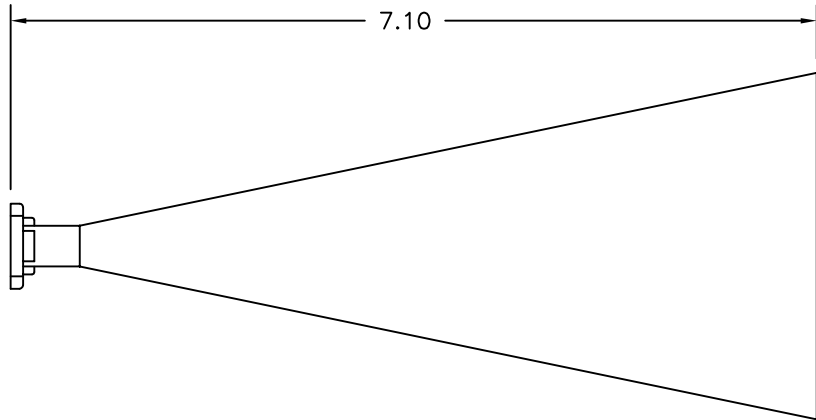


REV A	AUTH DM	DATE 01/30/14	INITIAL RELEASE
REV B	AUTH M.R.	DATE 03/19/15	UPDATED TOLERANCES
REV C	AUTH M.R.	DATE 02/17/16	CORRECTED FRONT VIEW / APERATURE OPENING. PER E.C.N. 02-17-16-01



*INSIDE DIMENSION

THIRD ANGLE PROJECTION:		APPROVALS	DATE	ADVANCED TECHNICAL MATERIALS, INC. TEL: (631) 289-0363 FAX: (631) 289-0358 www.atmmicrowave.com		<small>THE INFORMATION IN THIS DRAWING IS PROPRIETARY AND SHALL NOT BE USED OR DISCLOSED WITHOUT THE PRIOR WRITTEN CONSENT OF ATM, INC. DO NOT SCALE DWG.</small>	
UNLESS OTHERWISE NOTED, DIMENSIONS ARE IN INCHES, TOLERANCES ARE: FRACTIONS: ±1/64 ANGLES: ±1/2° MACHINED FINISH 63 ✓ OR BETTER		DRAWN DM	01/30/14	<h2>OUTLINE</h2> <h3>WR28 HORN - 25dB</h3>			
		CHKD.					
		APRVD.		MATERIAL ALUMINUM TREATMENT CHEM FILM		SIZE A CAGE CODE OR8N4 SCALE NONE	ATM DWG # 15240 MODEL # 28-443-6
DECIMALS 2 PLACE 3 PLACE ±.04 ±.030				REVISION C	SHEET 1/1		