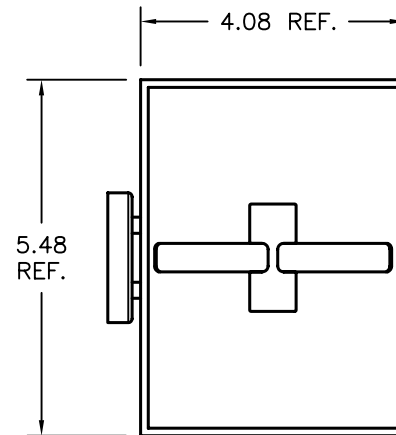
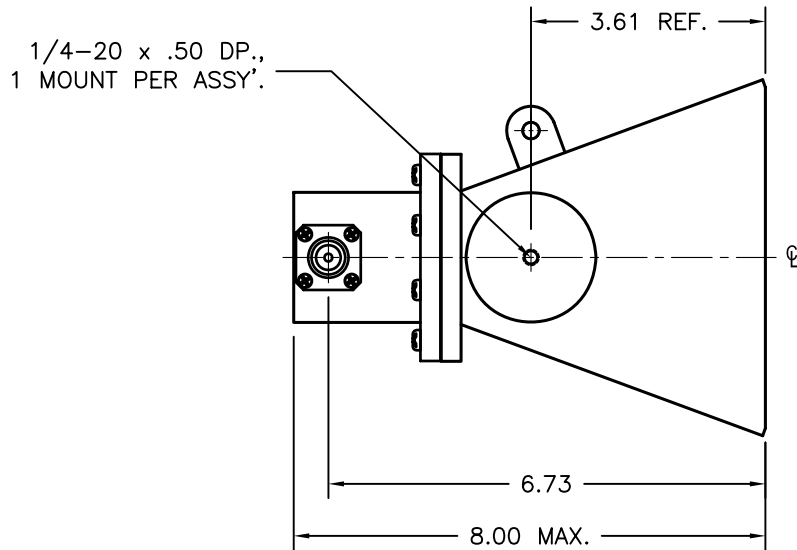
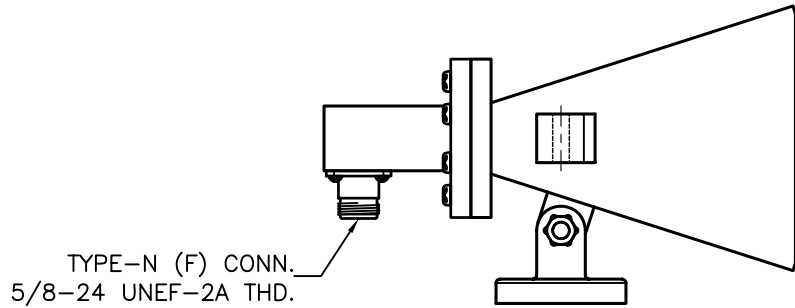


REV A	AUTH JLE	DATE 07/23/03	INITIAL RELEASE
REV B	AUTH JLE	DATE 4/14/04	ASSEMBLY DETAILS ADDED.
REV C	AUTH RL	DATE 04/21/06	FORMAT UPDATE; RE-DESIGNATED FOR WEB OUTLINE, ASSY. DETAILS REMOVED.



MODEL SPECIFICATIONS

MODEL: 250-441EM-NF
 FREQ.: 2.5-7.5 GHz
 CONN.: TYPE-N(F)
 GAIN: 15 dB
 VSWR: 1.6

THIRD ANGLE PROJECTION:		APPROVALS	DATE		ADVANCED TECHNICAL MATERIALS, INC. TEL: (631) 289-0363 FAX: (631) 289-0358 www.atmmicrowave.com		THE INFORMATION IN THIS DRAWING IS PROPRIETARY AND SHALL NOT BE USED OR DISCLOSED WITHOUT THE PRIOR WRITTEN CONSENT OF ATM, INC. DO NOT SCALE DWG.
UNLESS OTHERWISE NOTED, DIMENSIONS ARE IN INCHES, TOLERANCES ARE: FRACTIONS: ±1/64 ANGLES: ±1/2°		DRAWN JLE	07/23/03				
BASIC DIMENSION	DECIMALS 2 PLACE 3 PLACE	APRVD.		OUTLINE, WRD250 15dB W/G HORN ANTENNA		SIZE A	REVISION C
UNDER 6"	±.02 ±.005	MATERIAL PER ORDER				CAGE CODE OR8N4	ATM DWG # 5732W
6" - 12"	±.03 ±.010	TREATMENT -				SCALE 1 : 3	MODEL # 250-441EM-NF
OVER 12"	±.06 ±.015	FINISH -					