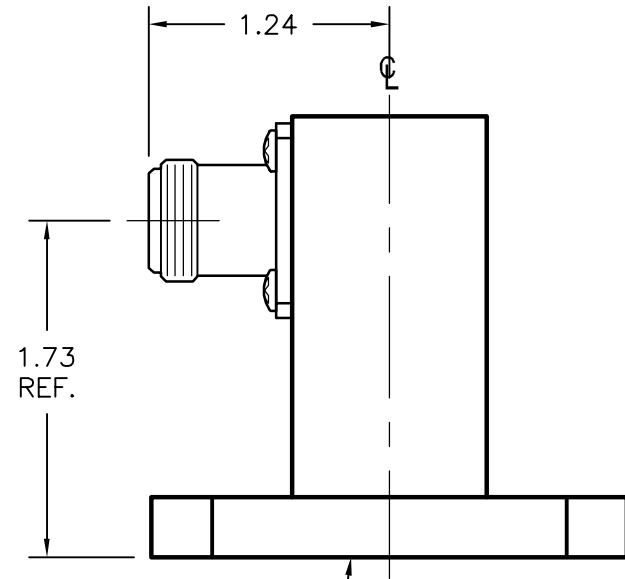
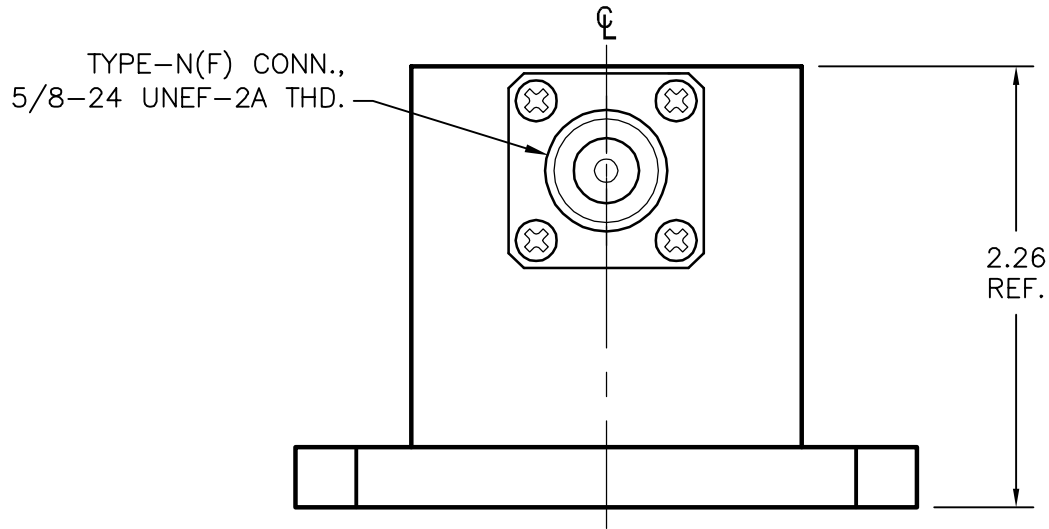


REV A	AUTH JLE	DATE 6/6/03	INITIAL RELEASE
REV B	AUTH JLE	DATE 06/16/03	CONNECTOR MOVED. HEIGHT 2.27, WAS: 3.04; LOC. 1.73, WAS: 2.50
REV C	AUTH RL	DATE 11/27/06	TITLE BLOCK, NOTES UPDATED; PRINT REDESIGNATED FOR WEB OUTLINE.



PERFORMANCE SPECIFICATIONS

MODEL NUMBER: 250-253-FLANGE TYPE*
 WG SIZE: WRD250
 FREQ: 2.6 - 7.8 GHz
 MAX. VSWR: 1.35
 FLANGE TYPE: SEE TABLE BELOW

*DOUBLE RIDGE FLANGE TYPES		
DESIGNATION	TYPE	HOLE PATTERN
C1	COVER	ALL THRU/TAPPED
C2		ALL TAPPED
C3		ALL THROUGH
G1	GROOVE	ALL THRU/TAPPED
G2		ALL TAPPED
G3		ALL THROUGH

THIRD ANGLE PROJECTION:		APPROVALS	DATE	ADVANCED TECHNICAL MATERIALS, INC. TEL: (631) 289-0363 FAX: (631) 289-0358 www.atmmicrowave.com	<small>THE INFORMATION IN THIS DRAWING IS PROPRIETARY AND SHALL NOT BE USED OR DISCLOSED WITHOUT THE PRIOR WRITTEN CONSENT OF ATM, INC. DO NOT SCALE DWG.</small>	
UNLESS OTHERWISE NOTED, DIMENSIONS ARE IN INCHES, TOLERANCES ARE: FRACTIONS: ±1/64 ANGLES: ±1/2°		DRAWN RL	11/27/06			
BASIC DIMENSION	DECIMALS 2 PLACE 3 PLACE	APRVD.	OUTLINE, WRD250 W/G-COAX ADAPTER, TYPE-N			
UNDER 6"	±.03 ±.005	MATERIAL PER ORDER				
6" - 12"	±.04 ±.010	TREATMENT -				
OVER 12"	±.06 ±.015	FINISH ATM STD. GREY	SIZE A	CAGE CODE 0R8N4	ATM DWG # 5650W	REVISION C
			SCALE 1 : 1	MODEL # 250-253-XX	SHEET 1/1	