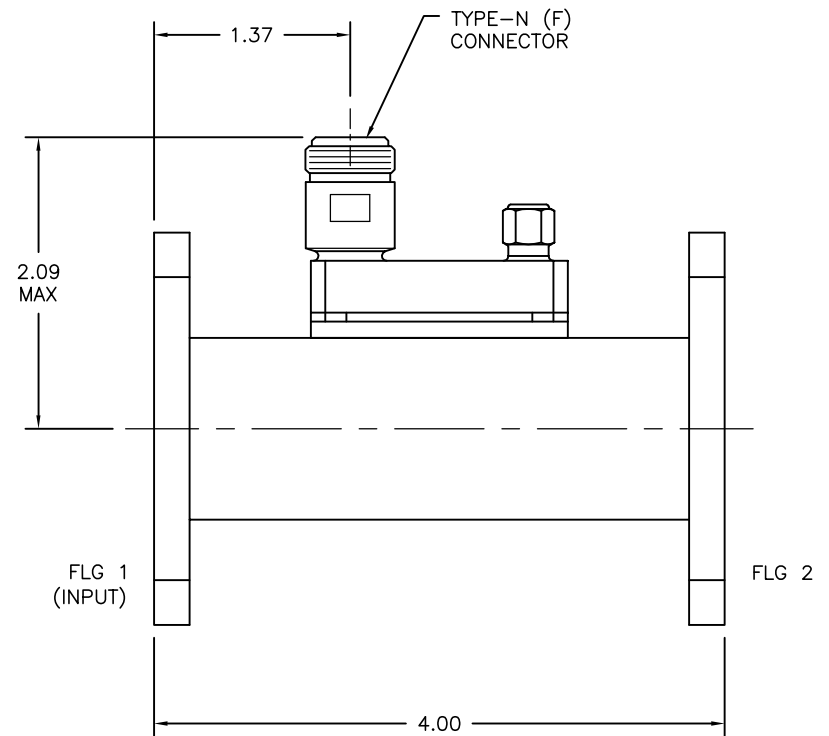
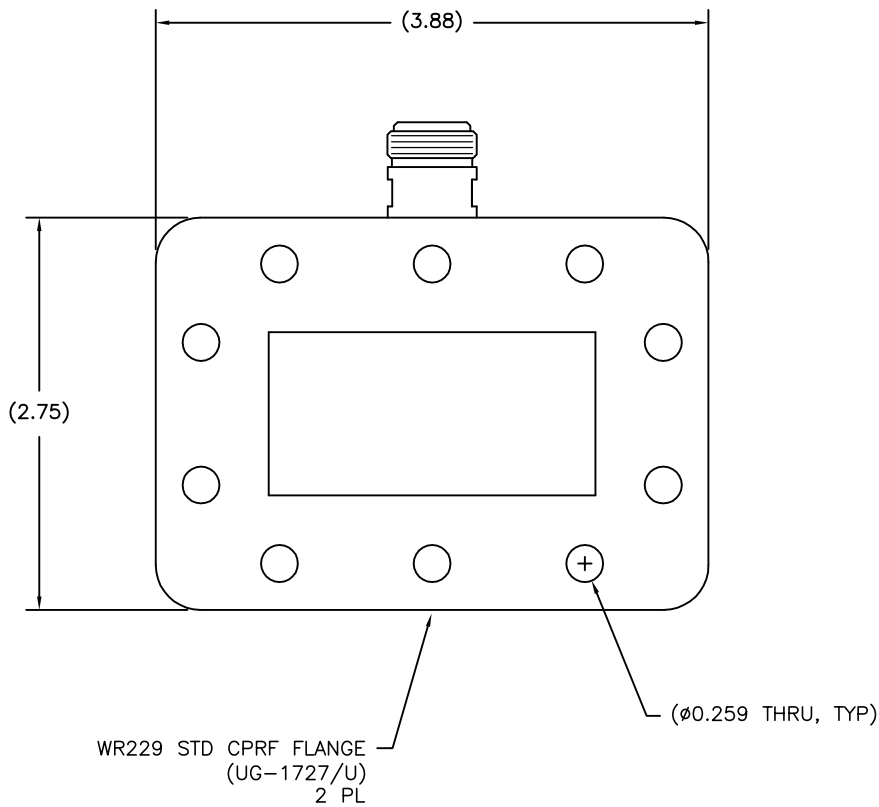


REV A	AUTH M.R.	DATE 01/18/16	INITIAL RELEASE
----------	--------------	------------------	-----------------



THIRD ANGLE PROJECTION:		APPROVALS	DATE	ADVANCED TECHNICAL MATERIALS, INC. TEL: (631) 289-0363 FAX: (631) 289-0358 www.atmmicrowave.com		<small>THE INFORMATION IN THIS DRAWING IS PROPRIETARY AND SHALL NOT BE USED OR DISCLOSED WITHOUT THE PRIOR WRITTEN CONSENT OF ATM, INC. DO NOT SCALE DWG.</small>	
UNLESS OTHERWISE NOTED, DIMENSIONS ARE IN INCHES, TOLERANCES ARE: FRACTIONS: $\pm 1/64$ ANGLES: $\pm 1/2^\circ$ MACHINED FINISH 63 $\sqrt{\text{OR BETTER}}$		DRAWN M.R.	01/18/16				
		CHKD.		OUTLINE WR229 LOOP COUPLER - TYPE-N			
		APRVD.					
		MATERIAL ALUMINUM		SIZE A	CAGE CODE OR8N4	ATM DWG # 17351	REVISION A
		TREATMENT CHEM FILM		SCALE NONE	MODEL # 229-308A-XX-2-2		SHEET 1/1
		DECIMALS 2 PLACE 3 PLACE					
		$\pm .01$ $\pm .005$					