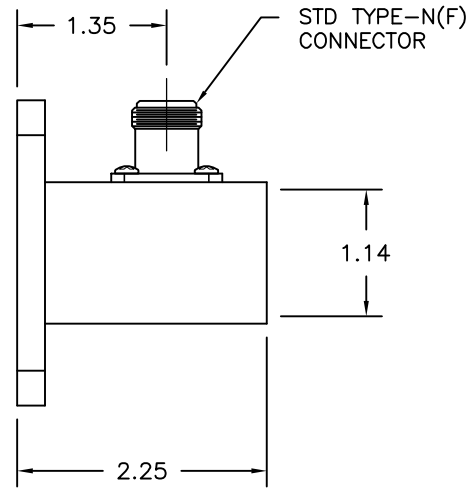
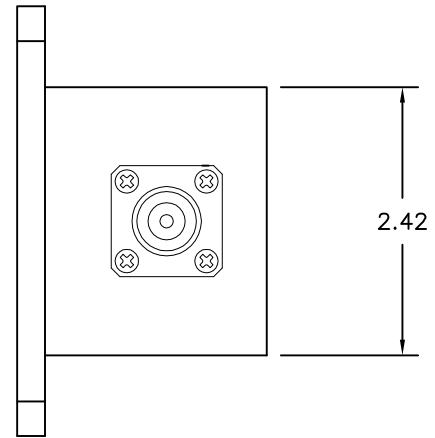
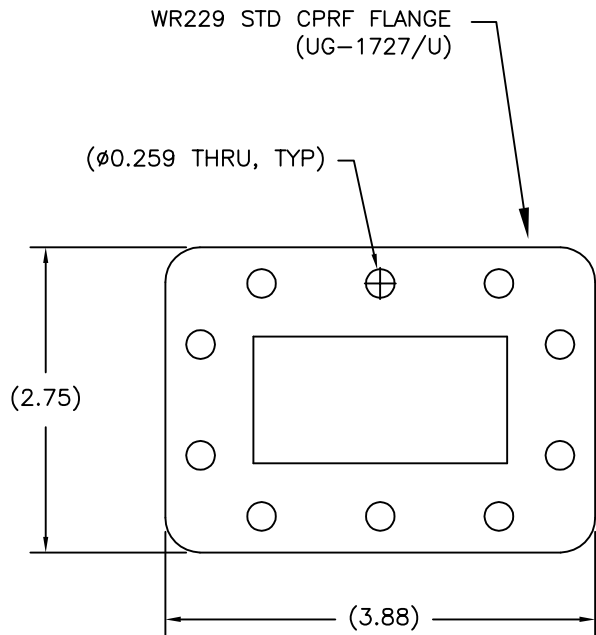


REV A	AUTH DM	DATE 07/26/12	INITIAL RELEASE
b	DM	06/04/13	REMOVED FINISH



THIRD ANGLE PROJECTION:		APPROVALS	DATE	ADVANCED TECHNICAL MATERIALS, INC. TEL: (631) 289-0363 FAX: (631) 289-0358 www.atmmicrowave.com		<small>THE INFORMATION IN THIS DRAWING IS PROPRIETARY AND SHALL NOT BE USED OR DISCLOSED WITHOUT THE PRIOR WRITTEN CONSENT OF ATM, INC. DO NOT SCALE DWG.</small>			
UNLESS OTHERWISE NOTED, DIMENSIONS ARE IN INCHES, TOLERANCES ARE: FRACTIONS: ±1/64 ANGLES: ±1/2° MACHINED FINISH 63 ✓ OR BETTER		DRAWN DM	07/26/12			OUTLINE WR229 WG-COAX ADAPTER		SIZE A	CAGE CODE OR8N4
DECIMALS 2 PLACE 3 PLACE		CHKD.		SCALE NONE	MODEL # 229-253A-2			SHEET 1/1	
±.01 ±.005		APRVD.		MATERIAL ALUMINUM		TREATMENT CHEM FILM			