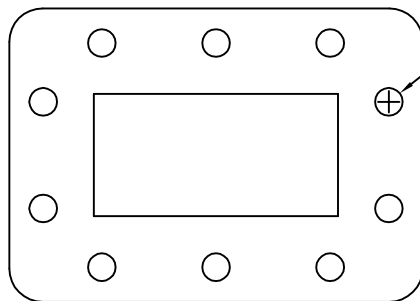
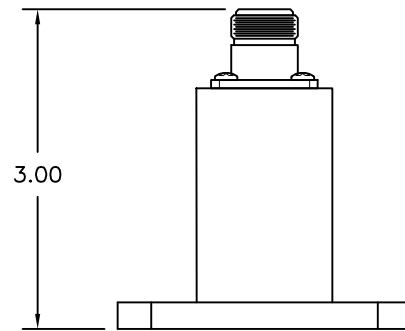
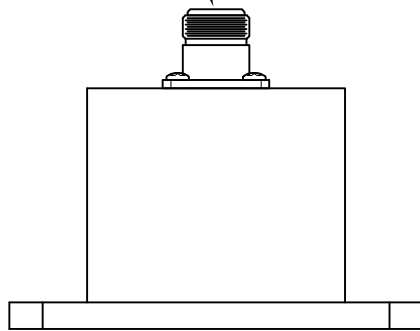


STD TYPE-N(F)
CONNECTOR



(ϕ 0.259 THRU, TYP)

WR229 STD CPRF FLANGE
(UG-1727/U)

THIRD ANGLE PROJECTION:	APPROVALS	DATE	ADVANCED TECHNICAL MATERIALS, INC. TEL: (631) 289-0363 FAX: (631) 289-0358 www.atmmicrowave.com	<small>THE INFORMATION IN THIS DRAWING IS PROPRIETARY AND SHALL NOT BE USED OR DISCLOSED WITHOUT THE PRIOR WRITTEN CONSENT OF ATM, INC. DO NOT SCALE DWG.</small>
	DRAWN DM	03/05/13		
	CHKD.		OUTLINE WR229 ENDLAUNCH ADAPTER - TYPE-N	
	APRVD.			
UNLESS OTHERWISE NOTED, DIMENSIONS ARE IN INCHES, TOLERANCES ARE: FRACTIONS: $\pm 1/64$ ANGLES: $\pm 1/2^\circ$ MACHINED FINISH 63 \checkmark OR BETTER	MATERIAL ALUMINUM		SIZE A CAGE CODE OR8N4 ATM DWG # 14606 REVISION A	
DECIMALS 2 PLACE 3 PLACE	TREATMENT CHEM FILM		SCALE NONE MODEL # 229-203A-2 SHEET 1/1	
$\pm .01$ $\pm .005$				