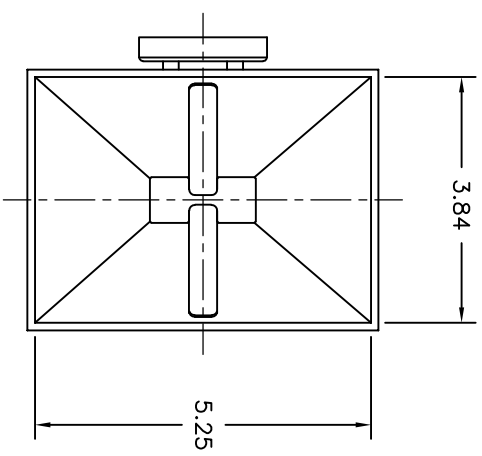
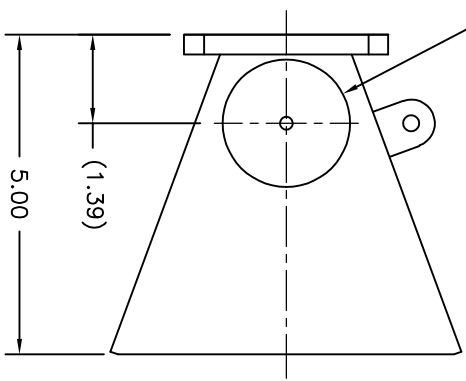
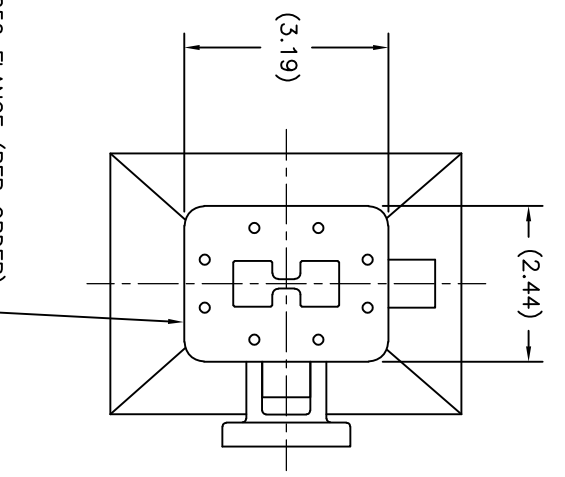
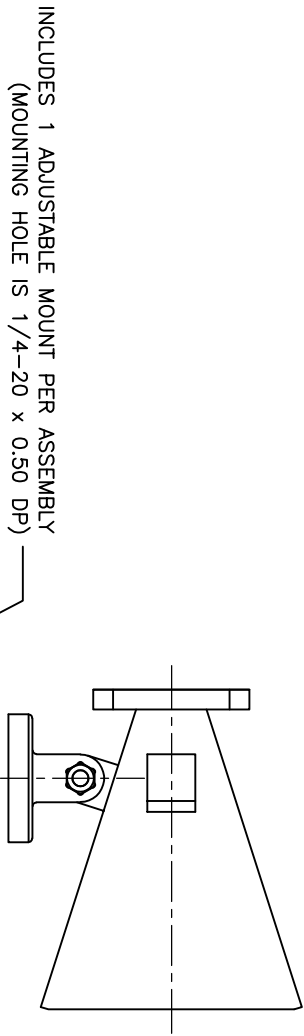


REVISIONS		DATE	APPROVED
ZONE	LTR	DESCRIPTION	
B		ATM RELEASE: FORMAT UPDATE	06/16/22 M. Rotunda



WRD250 FLANGE (PER ORDER)
C3 SHOWN
(FLAT W/ ALL THRU HOLES)

MODEL SPECIFICATIONS
 MODEL: 250-441-XX
 FREQ.: 2.5-7.5 GHz
 GAIN: 15 dB
 VSWR: 1.6

PRINT NOT ON AUTOMATIC DISTRIBUTION VERIFY REVISION PRIOR TO USE

Narda-MITEQ PROPRIETARY
 THIS DOCUMENT CONTAINS INFORMATION WHICH IS PROPRIETARY TO NARDA-MITEQ. THE CONTENTS SHALL NOT BE DISCLOSED, COPIED, DISTRIBUTED, OR USED UNLESS AUTHORIZED BY AN OFFICER OF NARDA-MITEQ.

THESE TERMS/REGULATORY CONTAIN INFORMATION SUBJECT TO U.S. GOVERNMENT EXPORT CONTROL IN ACCORDANCE WITH THE EXPORT ADMINISTRATION REGULATIONS (EAR), 15 CFR PARTS 730-744. EXPORT OF THIS DATA TO ANY FOREIGN COUNTRY OR DISCLOSURE OF THIS DATA TO ANY NON-U.S. PERSON MAY BE A VIOLATION OF FEDERAL LAW.

APPLICATION	USED ON	NEXT ASSY

UNLESS OTHERWISE SPECIFIED DIMENSIONS ARE IN INCHES TOLERANCES ON DECIMALS ANGLES
 XX±.01 XXX±.005 ±0°30'

PROJECTION	MATERIAL	FINISH
	ALUMINUM BODY	STD GRAY OVER CHEM FILM

14208	NAME	DATE
	D.M.	07/26/12
	M. Rotunda	09/17/22
	APPROVED BY	
	J. Crispino	09/17/22
	PROJ ENGR	
	LAG ENGR	
	QA	09/18/22
	C. Lattwells	

AUTOCAD FILE FORMAT	SCALE

narda-miteq
 458 MORELAND RD HUNTSVILLE, TN 37188
OUTLINE,
WRD250-441 HORN ANTENNA

SIZE	CODE IDENT. NO.	REV.
C	94S46	B
SCALE	REF	SHEET 1 OF 1