

NOTES: UNLESS OTHERWISE SPECIFIED:

MECHANICAL:

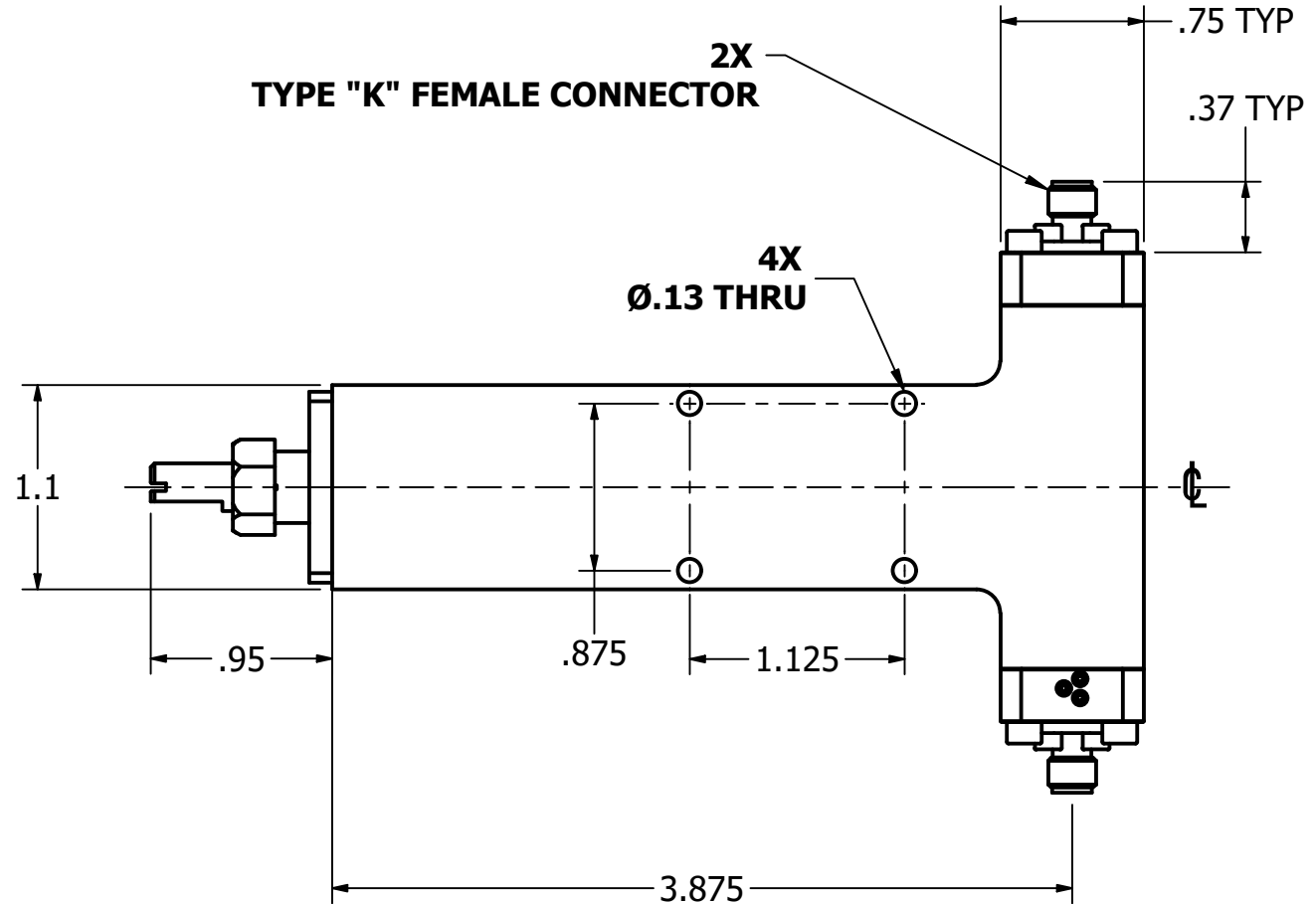
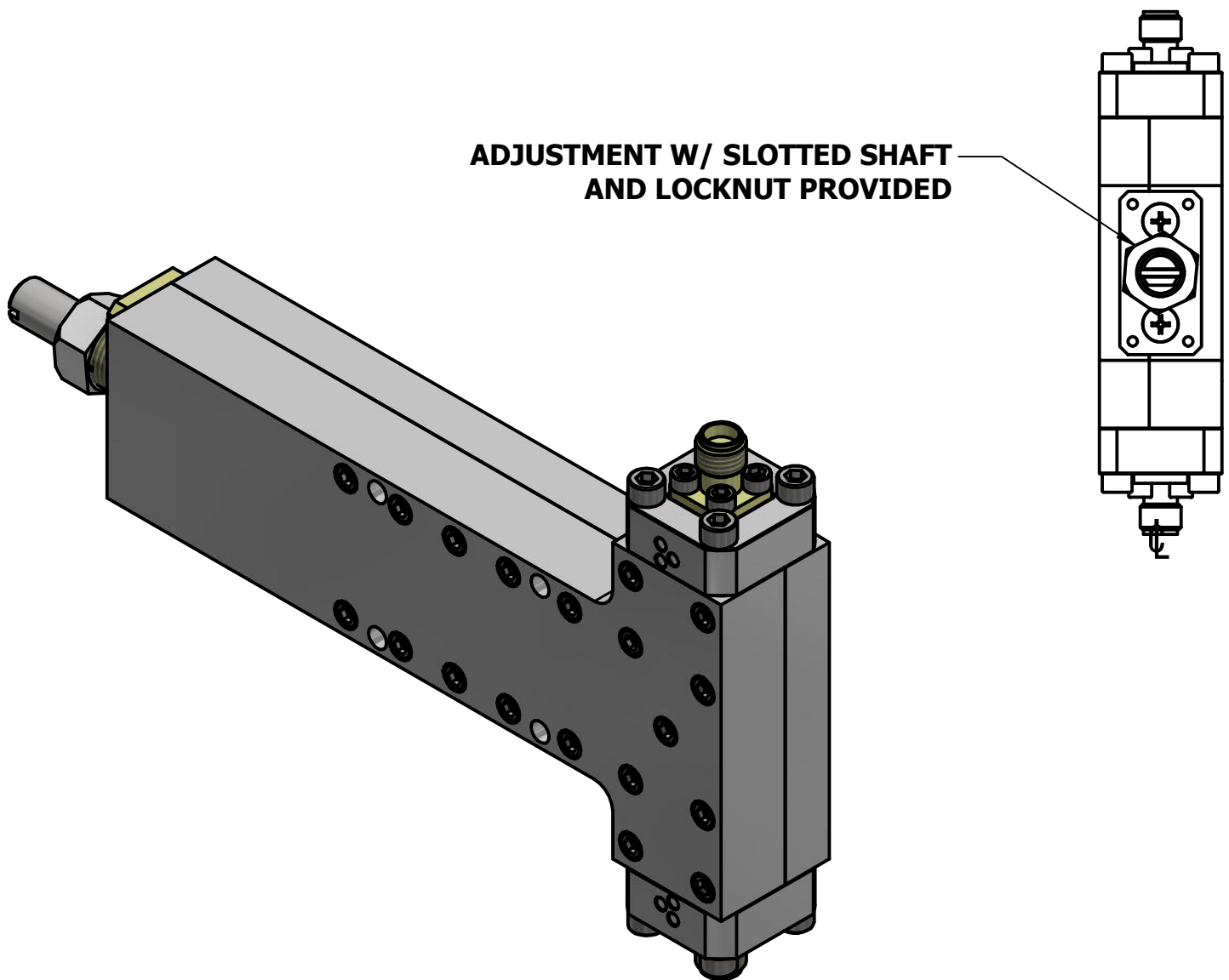
DIMENSIONS PER DRAWING.
 MATERIAL: ALUMINUM ALLOY.
 FINISH: CHEMICAL FILM
 CONNECTORS: TYPE K FEMALE 2 REQD.

ELECTRICAL:

VSWR: 1.5:1 MAX
 PHASE SHIFT: 0-360°
 INSERTION LOSS: 1.3 dB± 1 MAX THRU RANGE

| APPLICATION | |
|-------------|----------|
| FREQUENCY | MODEL # |
| 26.0-30.0 | P28K-410 |
| 27.5-31.2 | P28K-414 |
| 30.0-31.0 | P28K-415 |
| 30.0-34.0 | P28K-411 |
| 33.5-37.0 | P28K-412 |
| 36.0-40.0 | P28K-413 |
| 33.0-36.0 | P28K-416 |

| REVISION HISTORY | | | |
|------------------|------|---------|-----------------------------|
| REV | AUTH | DATE | DESCRIPTION |
| A | BF | 8-18-11 | INITIAL RELEASE |
| B | RL | 7-26-16 | MODELS REVISED: -416 ADDED. |
| C | RL | 1-9-17 | UPDATE PER ECN 01-09-17-01 |
| D | BF | 5-12-22 | N/M FORMAT UPDATE |



PRINT NOT ON AUTOMATIC DISTRIBUTION VERIFY REVISION PRIOR TO USE

| | | | | | |
|---|---|---|--------------------------------|--------------------------------------|-----------------------|
| Narda-MITEQ PROPRIETARY THIS DOCUMENT CONTAINS INFORMATION WHICH IS PROPRIETARY TO Narda-MITEQ. THE CONTENTS SHALL NOT BE DISCLOSED, COPIED, DISTRIBUTED OR USED UNLESS AUTHORIZED BY AN OFFICER OF Narda-MITEQ. | UNLESS OTHERWISE SPECIFIED DIMENSIONS ARE IN INCHES. TOLERANCES ON DECIMAL ANGLES X±.1 XX'.01 XXX'.005 '0-30' | 13383 | | 435 MORELAND RD HALPPALIGE, NY 11786 | |
| | | DRN BY BF 8-18-11 8/18/2011 CHKD BY APPROVED BY | OUTLINE, COAXIAL PHASE SHIFTER | | |
| THIS TECHNICAL DATA IS CONTROLLED UNDER THE EXPORT ADMINISTRATION REGULATIONS (EAR) AND MAY NOT BE EXPORTED TO A FOREIGN PERSON, EITHER IN THE U.S. OR ABROAD, WITHOUT PROPER AUTHORIZATION BY THE U.S. DEPARTMENT OF COMMERCE. | MATERIAL | PROJ ENGR | ENG SECT | Q.A. | |
| | FINISH | CUST | SIZE B | CODE INVENT 99899 | DRAWING NUMBER 227482 |
| INVENTOR FILE P28K-413_OUTLINE_(13383-B).i | | SCALE | REF | SHEET 1 OF 1 | |