

5

4

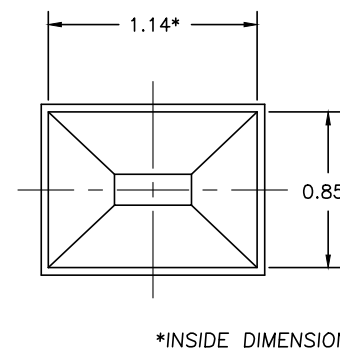
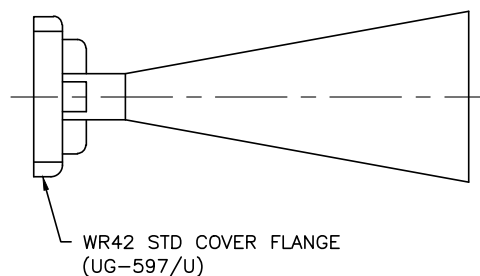
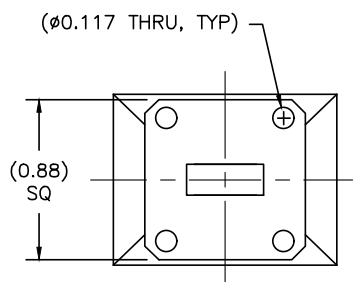
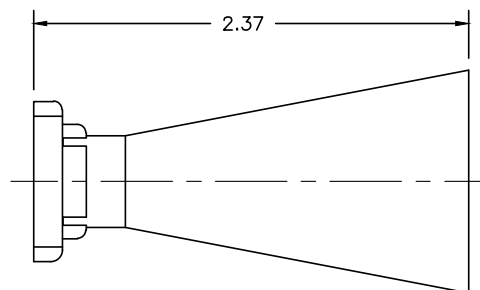
3

2

1

REVISIONS				
ZONE	LTR	DESCRIPTION	DATE	APPROVED
	D	N/M FORMAT UPDATE	04/26/22	

13959



**\*NOTE:** THESE DIMENSIONS ARE BASED ON THE FLANGE TYPE SHOWN ABOVE, AND MAY CHANGE WHEN OTHER FLANGE TYPES ARE SELECTED.

PRINT NOT ON AUTOMATIC DISTRIBUTION VERIFY REVISION PRIOR TO USE

<p><b>Narda-MITEQ PROPRIETARY</b> THIS DOCUMENT CONTAINS INFORMATION WHICH IS PROPRIETARY TO Narda-MITEQ. THE CONTENTS SHALL NOT BE DISCLOSED, COPIED, DISTRIBUTED, OR USED UNLESS AUTHORIZED BY AN OFFICER OF Narda-MITEQ.</p>	UNLESS OTHERWISE SPECIFIED DIMENSIONS ARE IN INCHES		13959		<p>435 MORELAND RD HAUPPAUGE, NY 11788</p>				
	TOLERANCES ON		DRN BY	NAME			DATE		
<p>THESE ITEM(S)/TECHNOLOGY CONTAIN INFORMATION SUBJECT TO U.S. GOVERNMENT EXPORT CONTROL IN ACCORDANCE WITH THE EXPORT ADMINISTRATION REGULATIONS (EAR), 15 CFR PARTS 730-744. EXPORT OF THIS DATA TO ANY FOREIGN COUNTRY OR DISCLOSURE OF THIS DATA TO ANY NON-US PERSON MAY BE A VIOLATION OF FEDERAL LAW.</p>	.XX±.03 .XXX±.005		B. FRESHOUR		04/26/22				
	ANGLES ±0°30'		PROJECTION		APPROVED BY				
MATERIAL ALUM ALY		FINISH CHEM FILM		PROJ ENGR		<p>OUTLINE, WR42 HORN-15dB</p>			
NEXT ASSY 42-441-6		USED ON		MFG ENG					
APPLICATION		AUTOCAD FILE FORMAT		Q.A.		SIZE B	CODE IDENT. NO. 94S46	227456	REV. D
						SCALE	REF 42-441-6	SHEET 1 OF 1	1

A

A

5

4

3

2

1

FORM 102073

AUTOCAD 3-2022