

5

4

3

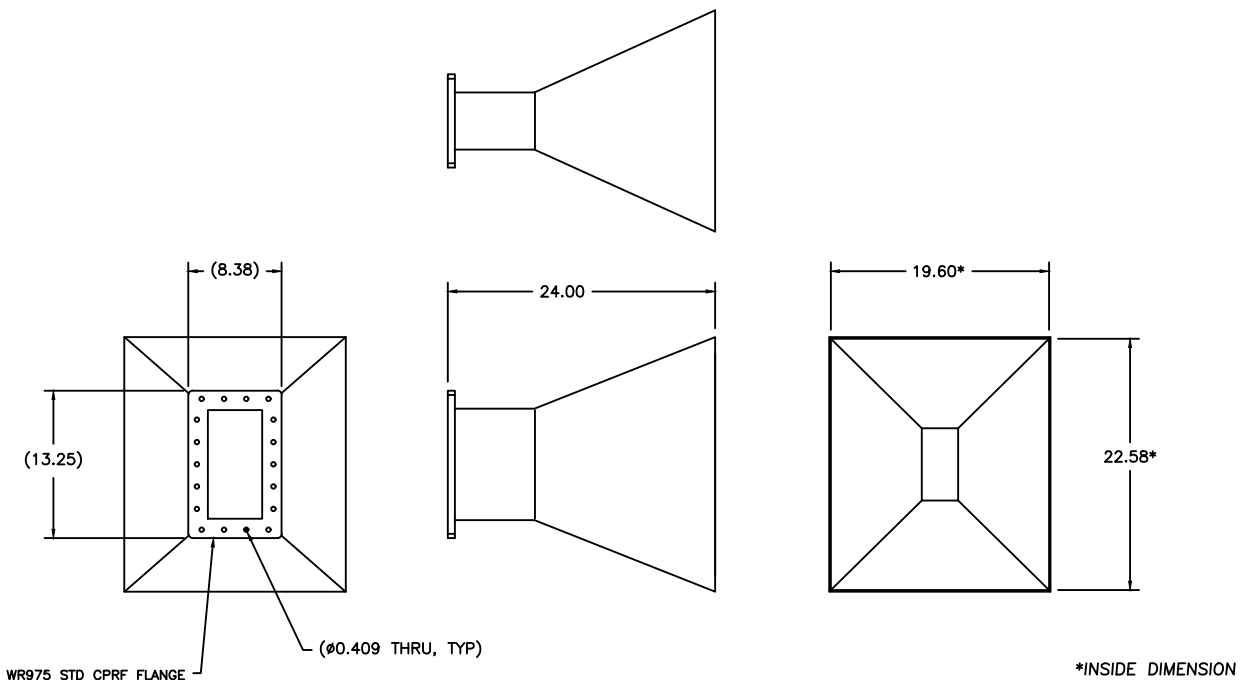
2

1

227430

REV	AUTH	DATE	INITIAL RELEASE
A	BF	02/11/09	
B	DM	04/26/13	FORMAT CHANGE ; REMOVED PAINT
C	LM	7/10/14	CHANGED TOLERANCE OF 2 PLACE DECIMAL FROM: +/-0.01 TO: +/-0.05
D	DM	05/02/17	UPDATED LOGO ; NO DIMENSION CHANGES

REVISIONS			
ZONE	LTR	DESCRIPTION	DATE
	E	N/M FORMAT UPDATE	05/04/22



***NOTE:** THESE DIMENSIONS ARE BASED ON THE FLANGE TYPE SHOWN ABOVE, AND MAY CHANGE WHEN OTHER FLANGE TYPES ARE SELECTED.

PRINT NOT ON AUTOMATIC DISTRIBUTION VERIFY REVISION PRIOR TO USE

<p>Narda-MITEQ PROPRIETARY THIS DOCUMENT CONTAINS INFORMATION WHICH IS PROPRIETARY TO Narda-MITEQ. THE CONTENTS SHALL NOT BE DISCLOSED, COPIED, DISTRIBUTED, OR USED UNLESS AUTHORIZED BY AN OFFICER OF Narda-MITEQ.</p>			UNLESS OTHERWISE SPECIFIED DIMENSIONS ARE IN INCHES TOLERANCES ON DECIMALS ANGLES XX±.05 XXX±.005 ±0°30'	9600	 435 MORELAND RD HAUPPAUGE, NY 11788												
			PROJECTION	<table border="1"> <tr> <th>DRN BY</th> <th>NAME</th> <th>DATE</th> </tr> <tr> <td>B. FRESHOUR</td> <td></td> <td>05/04/22</td> </tr> </table>		DRN BY	NAME	DATE	B. FRESHOUR		05/04/22	<p>OUTLINE, WR975 HORN, 15 dB GAIN</p>					
	DRN BY	NAME	DATE														
	B. FRESHOUR		05/04/22														
		MATERIAL AL ALY	APPROVED BY														
<p>THESE ITEM(S)/TECHNOLOGY CONTAIN INFORMATION SUBJECT TO U.S. GOVERNMENT EXPORT CONTROL IN ACCORDANCE WITH THE EXPORT ADMINISTRATION REGULATIONS (EAR), 15 CFR PARTS 730-744. EXPORT OF THIS DATA TO ANY FOREIGN COUNTRY OR DISCLOSURE OF THIS DATA TO ANY NON-US PERSON MAY BE A VIOLATION OF FEDERAL LAW.</p>	975-441-2	FINISH CHEM FILM		<table border="1"> <tr> <th>PROJ ENGR</th> <th>MFG ENG</th> <th>Q.A.</th> </tr> <tr> <td></td> <td></td> <td></td> </tr> </table>	PROJ ENGR	MFG ENG	Q.A.				<table border="1"> <tr> <th>SIZE</th> <th>CODE IDENT. NO.</th> <th>REV.</th> </tr> <tr> <td>B</td> <td>94S46</td> <td>E</td> </tr> </table>	SIZE	CODE IDENT. NO.	REV.	B	94S46	E
PROJ ENGR	MFG ENG	Q.A.															
SIZE	CODE IDENT. NO.	REV.															
B	94S46	E															
NEXT ASSY	USED ON			AUTOCAD FILE FORMAT	<table border="1"> <tr> <th>SCALE</th> <th>REF</th> <th>SHEET</th> <th>1 OF</th> <th>1</th> </tr> <tr> <td></td> <td>975-441-2</td> <td>1</td> <td>1</td> <td>1</td> </tr> </table>	SCALE	REF	SHEET	1 OF	1		975-441-2	1	1	1		
SCALE	REF	SHEET	1 OF	1													
	975-441-2	1	1	1													

5

4

3

2

1

AUTOCAD 8-2023