

5

4

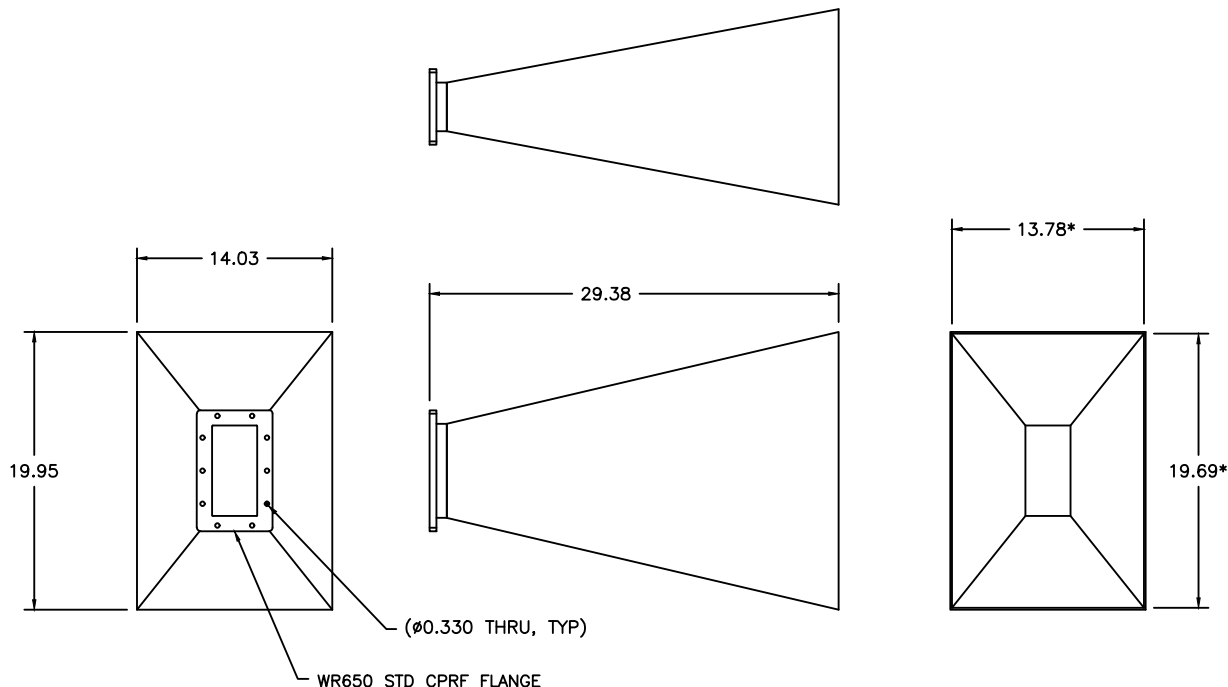
3

2

1



REV	AUTH	DATE	INITIAL RELEASE	REVISIONS				
A	DM	04/16/13	INITIAL RELEASE	ZONE	LTR	DESCRIPTION	DATE	APPROVED
B	LM	7/10/14	CHANGE TOLERANCE OF 2 PLACE DECIMAL FROM +/- .01 TO +/- .05					
C	DM	05/02/17	UPDATED LOGO ; NO DIMENSION CHANGES		D	N/M FORMAT UPDATE	05/04/22	

227429



***NOTE:** THESE DIMENSIONS ARE BASED ON THE FLANGE TYPE SHOWN ABOVE, AND MAY CHANGE WHEN OTHER FLANGE TYPES ARE SELECTED.

PRINT NOT ON AUTOMATIC DISTRIBUTION VERIFY REVISION PRIOR TO USE

Narda-MITEQ PROPRIETARY THIS DOCUMENT CONTAINS INFORMATION WHICH IS PROPRIETARY TO NARDA-MITEQ. THE CONTENTS SHALL NOT BE DISCLOSED, COPIED, DISTRIBUTED, OR USED UNLESS AUTHORIZED BY AN OFFICER OF NARDA-MITEQ.			UNLESS OTHERWISE SPECIFIED DIMENSIONS ARE IN INCHES TOLERANCES ON DECIMALS ANGLES XX±.05 XXX±.005 ±0°30'	14282	 435 MORELAND RD HAUPPAUGE, NY 11788
	THESE ITEM(S)/TECHNOLOGY CONTAIN INFORMATION SUBJECT TO U.S. GOVERNMENT EXPORT CONTROL IN ACCORDANCE WITH THE EXPORT ADMINISTRATION REGULATIONS (EAR), 15 CFR PARTS 730-744. EXPORT OF THIS DATA TO ANY FOREIGN COUNTRY OR DISCLOSURE OF THIS DATA TO ANY NON-US PERSON MAY BE A VIOLATION OF FEDERAL LAW.			PROJECTION 	
	650-441-2		MATERIAL: AL ALY		
	NEXT ASSY USED ON		FINISH: CHEM FILM		
	APPLICATION			AUTOCAD FILE FORMAT	
				SCALE	REF: 650-441-2
					SHEET 1 OF 1

5

4

3

2

1

227429