

5

4

3

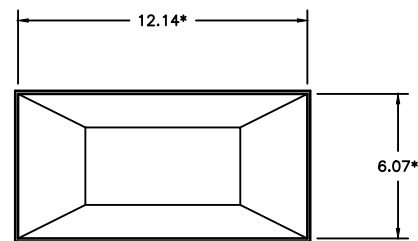
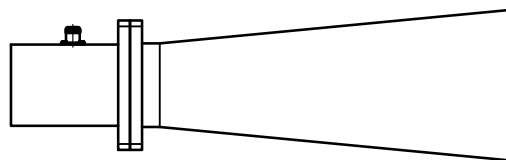
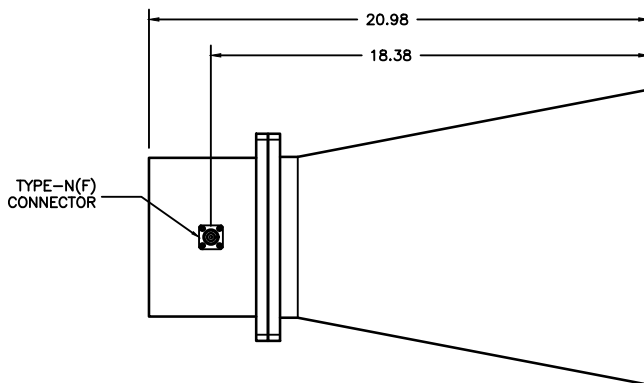
2

1

REV	AUTH	DATE	INITIAL RELEASE
A	RL	10-23-2018	

REVISIONS				
ZONE	LTR	DESCRIPTION	DATE	APPROVED
	B	N/M FORMAT UPDATE	05/04/22	

227428



SPECIFICATIONS

MECHANICAL

MODEL NUMBER: 650-440-NF
 MATERIAL: ALUM. ALLOY
 FINISH: UNIQUE 316 STAINLESS STEEL EPOXY COATING.
 WEIGHT: 8 LBS, APPROXIMATE

ELECTRICAL

FREQ. RANGE: 1.12-1.70 GHz
 GAIN: 10dB

*INSIDE DIMENSION

PRINT NOT ON AUTOMATIC DISTRIBUTION VERIFY REVISION PRIOR TO USE

<p>Narda-MITEQ PROPRIETARY</p> <p>THIS DOCUMENT CONTAINS INFORMATION WHICH IS PROPRIETARY TO Narda-MITEQ. THE CONTENTS SHALL NOT BE DISCLOSED, COPIED, DISTRIBUTED, OR USED UNLESS AUTHORIZED BY AN OFFICER OF Narda-MITEQ.</p>			<p>UNLESS OTHERWISE SPECIFIED DIMENSIONS ARE IN INCHES</p> <p>TOLERANCES ON</p> <p>DECIMALS ANGLES</p> <p>.XX ± .05 .XXX ± .005 ± 0°30'</p>	14077	<p>435 MORELAND RD HAUPPAUGE, NY 11788</p>							
				<table border="1"> <tr> <th>DRN BY</th> <th>NAME</th> <th>DATE</th> </tr> <tr> <td></td> <td>B. FRESHOUR</td> <td>05/04/22</td> </tr> </table>		DRN BY	NAME	DATE		B. FRESHOUR	05/04/22	<p>APPROVED BY</p>
	DRN BY	NAME		DATE								
		B. FRESHOUR		05/04/22								
		<table border="1"> <tr> <th>PROJ ENGR</th> <th>MFG ENG</th> <th>Q.A.</th> </tr> <tr> <td></td> <td></td> <td></td> </tr> </table>	PROJ ENGR	MFG ENG	Q.A.							
PROJ ENGR	MFG ENG	Q.A.										
		<table border="1"> <tr> <th>SIZE</th> <th>CODE IDENT. NO.</th> <th>REV.</th> </tr> <tr> <td>B</td> <td>94S46</td> <td>B</td> </tr> </table>	SIZE	CODE IDENT. NO.	REV.	B	94S46	B				
SIZE	CODE IDENT. NO.	REV.										
B	94S46	B										
<p>THESE ITEM(S)/TECHNOLOGY CONTAIN INFORMATION SUBJECT TO U.S. GOVERNMENT EXPORT CONTROL IN ACCORDANCE WITH THE EXPORT ADMINISTRATION REGULATIONS (EAR), 15 CFR PARTS 730-744. EXPORT OF THIS DATA TO ANY FOREIGN COUNTRY OR DISCLOSURE OF THIS DATA TO ANY NON-US PERSON MAY BE A VIOLATION OF FEDERAL LAW.</p>	<p>PROJECTION</p>	<p>MATERIAL</p> <p>AL ALY</p>	<p>FINISH</p> <p>CHEM FILM</p>	<p>AUTOCAD FILE FORMAT</p>	<p>SCALE</p> <p>REF 650-440-NF</p>	<p>SHEET 1 OF 1</p>						

5

4

3

2

1

AUTOCAD 9-2023