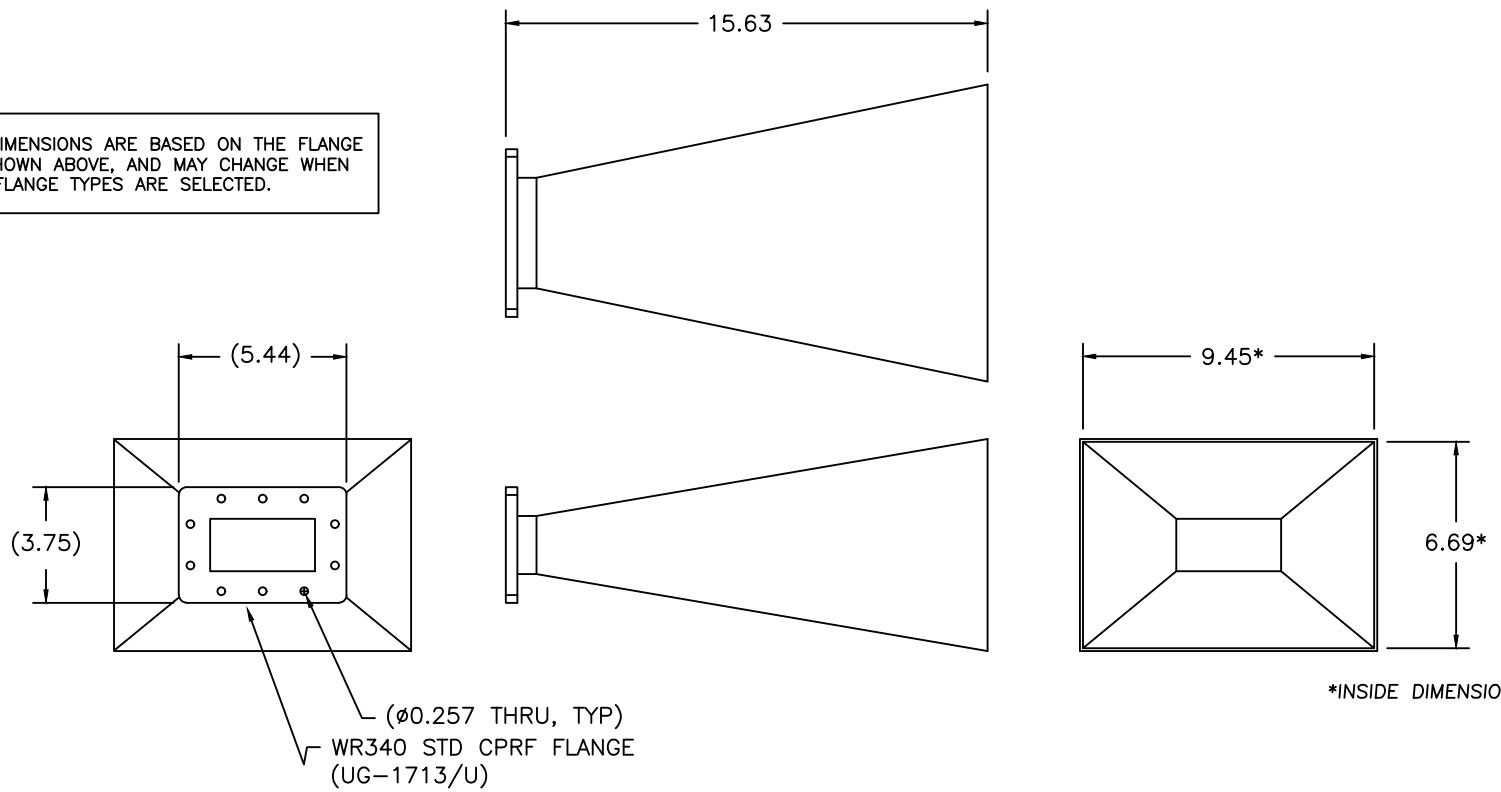


5 4 3 2 1

REV	AUTH	DATE	INITIAL RELEASE	REVISIONS				
A	DM	04/16/13	INITIAL RELEASE	ZONE	LTR	DESCRIPTION	DATE	APPROVED
B	LM	7/10/14	CHANGE TOLERANCE OF 2 PLACE DECIMAL FROM +/- .01 TO +/- .04					
C	DM	05/02/17	UPDATED LOGO ; NO DIMENSION CHANGES	D		N/M FORMAT UPDATE	05/03/22	

227419

***NOTE:** THESE DIMENSIONS ARE BASED ON THE FLANGE TYPE SHOWN ABOVE, AND MAY CHANGE WHEN OTHER FLANGE TYPES ARE SELECTED.



*INSIDE DIMENSION

PRINT NOT ON AUTOMATIC DISTRIBUTION VERIFY REVISION PRIOR TO USE

<p>Narda-MITEQ PROPRIETARY THIS DOCUMENT CONTAINS INFORMATION WHICH IS PROPRIETARY TO NARDA-MITEQ. THE CONTENTS SHALL NOT BE DISCLOSED, COPIED, DISTRIBUTED, OR USED UNLESS AUTHORIZED BY AN OFFICER OF NARDA-MITEQ.</p>			UNLESS OTHERWISE SPECIFIED DIMENSIONS ARE IN INCHES TOLERANCES ON DECIMALS ANGLES XX±.04 XXX±.005 ±0°30'	14122	<p>435 MORELAND RD HAUPPAUGE, NY 11788</p>																					
	<p>THESE ITEM(S)/TECHNOLOGY CONTAIN INFORMATION SUBJECT TO U.S. GOVERNMENT EXPORT CONTROL IN ACCORDANCE WITH THE EXPORT ADMINISTRATION REGULATIONS (EAR), 15 CFR PARTS 730-744. EXPORT OF THIS DATA TO ANY FOREIGN COUNTRY OR DISCLOSURE OF THIS DATA TO ANY NON-US PERSON MAY BE A VIOLATION OF FEDERAL LAW.</p>			PROJECTION		<table border="1"> <tr> <td>DRN BY</td> <td>NAME</td> <td>DATE</td> </tr> <tr> <td></td> <td>B. FRESHOUR</td> <td>05/03/22</td> </tr> <tr> <td>DRAFT DESIGN</td> <td></td> <td></td> </tr> <tr> <td colspan="3">APPROVED BY</td> </tr> <tr> <td>PROJ ENGR</td> <td></td> <td></td> </tr> <tr> <td>MFG ENG</td> <td></td> <td></td> </tr> <tr> <td>Q.A.</td> <td></td> <td></td> </tr> </table>	DRN BY	NAME	DATE		B. FRESHOUR	05/03/22	DRAFT DESIGN			APPROVED BY			PROJ ENGR			MFG ENG			Q.A.	
DRN BY	NAME	DATE																								
	B. FRESHOUR	05/03/22																								
DRAFT DESIGN																										
APPROVED BY																										
PROJ ENGR																										
MFG ENG																										
Q.A.																										
	340-441-2	FINISH CHEM FILM			<table border="1"> <tr> <td>SIZE</td> <td>CODE IDENT. NO.</td> <td>REV.</td> </tr> <tr> <td>B</td> <td>94S46</td> <td>D</td> </tr> </table>	SIZE	CODE IDENT. NO.	REV.	B	94S46	D															
SIZE	CODE IDENT. NO.	REV.																								
B	94S46	D																								
NEXT ASSY	USED ON			AUTOCAD FILE FORMAT	<table border="1"> <tr> <td>SCALE</td> <td>REF</td> <td>SHEET</td> </tr> <tr> <td></td> <td>340-441-2</td> <td>1 OF 1</td> </tr> </table>	SCALE	REF	SHEET		340-441-2	1 OF 1															
SCALE	REF	SHEET																								
	340-441-2	1 OF 1																								
APPLICATION																										

5 4 3 2 1

150000

AUTOCAD 8-2023