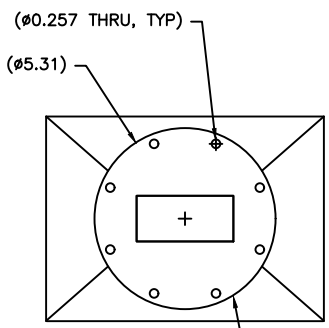
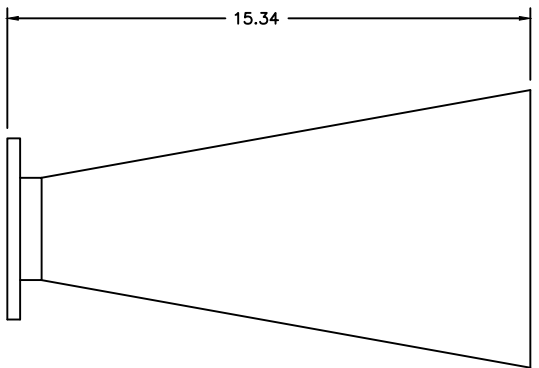


5 | 4 | 3 | 2 | 1

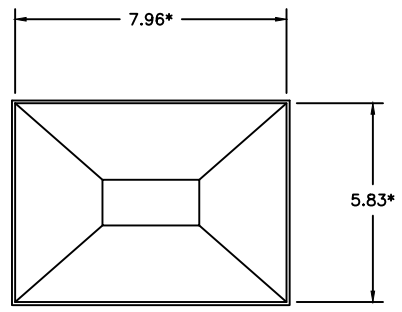
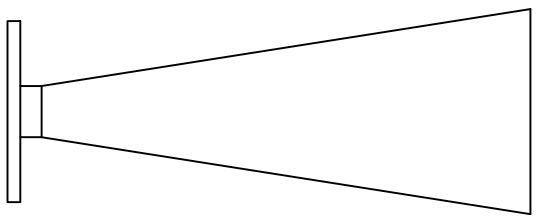
REV	AUTH	DATE	INITIAL RELEASE	REVISIONS				
A	DM	07/11/12	INITIAL RELEASE	ZONE	LTR	DESCRIPTION	DATE	APPROVED
B	LM	7/10/14	CHANGE TOLERANCE OF 2 PLACE DECIMAL FROM +/-0.01 TO +/-0.04					
C	DM	05/01/17	UPDATED LOGO : NO DIMENSION CHANGES	D		N/M FORMAT UPDATE	05/03/22	

227417

***NOTE:** THESE DIMENSIONS ARE BASED ON THE FLANGE TYPE SHOWN ABOVE, AND MAY CHANGE WHEN OTHER FLANGE TYPES ARE SELECTED.



WR284 STD COVER FLANGE (UG-584/U)



PRINT NOT ON AUTOMATIC DISTRIBUTION VERIFY REVISION PRIOR TO USE

<p>Narda-MITEQ PROPRIETARY THIS DOCUMENT CONTAINS INFORMATION WHICH IS PROPRIETARY TO Narda-MITEQ. THE CONTENTS SHALL NOT BE DISCLOSED, COPIED, DISTRIBUTED, OR USED UNLESS AUTHORIZED BY AN OFFICER OF Narda-MITEQ.</p> <p>THESE ITEM(S)/TECHNOLOGY CONTAIN INFORMATION SUBJECT TO U.S. GOVERNMENT EXPORT CONTROL IN ACCORDANCE WITH THE EXPORT ADMINISTRATION REGULATIONS (EAR), 15 CFR PARTS 730-744. EXPORT OF THIS DATA TO ANY FOREIGN COUNTRY OR DISCLOSURE OF THIS DATA TO ANY NON-US PERSON MAY BE A VIOLATION OF FEDERAL LAW.</p>			UNLESS OTHERWISE SPECIFIED DIMENSIONS ARE IN INCHES TOLERANCES ON DECIMALS .XX ± .04 .XXX ± .005 ANGLES ± 0°30'	13991	 435 MORELAND RD HAUPPAUGE, NY 11788												
			PROJECTION	<table border="1"> <tr> <th>DRN BY</th> <th>NAME</th> <th>DATE</th> </tr> <tr> <td>B. FRESHOUR</td> <td></td> <td>05/03/22</td> </tr> </table>		DRN BY	NAME	DATE	B. FRESHOUR		05/03/22	<p>OUTLINE, 284 HORN, 15dB GAIN</p>					
	DRN BY	NAME	DATE														
	B. FRESHOUR		05/03/22														
		MATERIAL AL ALY	APPROVED BY														
	284-441-6	FINISH CHEM FILM		<table border="1"> <tr> <th>PROJ ENGR</th> <th>MFG ENG</th> <th>Q.A.</th> </tr> <tr> <td></td> <td></td> <td></td> </tr> </table>	PROJ ENGR	MFG ENG	Q.A.				<table border="1"> <tr> <th>SIZE</th> <th>CODE IDENT. NO.</th> <th>REV.</th> </tr> <tr> <td>B</td> <td>94S46</td> <td>D</td> </tr> </table>	SIZE	CODE IDENT. NO.	REV.	B	94S46	D
PROJ ENGR	MFG ENG	Q.A.															
SIZE	CODE IDENT. NO.	REV.															
B	94S46	D															
	NEXT ASSY USED ON APPLICATION			AUTOCAD FILE FORMAT	<table border="1"> <tr> <th>SCALE</th> <th>REF</th> <th>SHEET</th> <th>1 OF</th> <th>1</th> </tr> <tr> <td></td> <td>284-441-6</td> <td>1</td> <td>1</td> <td>1</td> </tr> </table>	SCALE	REF	SHEET	1 OF	1		284-441-6	1	1	1		
SCALE	REF	SHEET	1 OF	1													
	284-441-6	1	1	1													

FORM 100003

AUTOCAD 9-2023

5 | 4 | 3 | 2 | 1