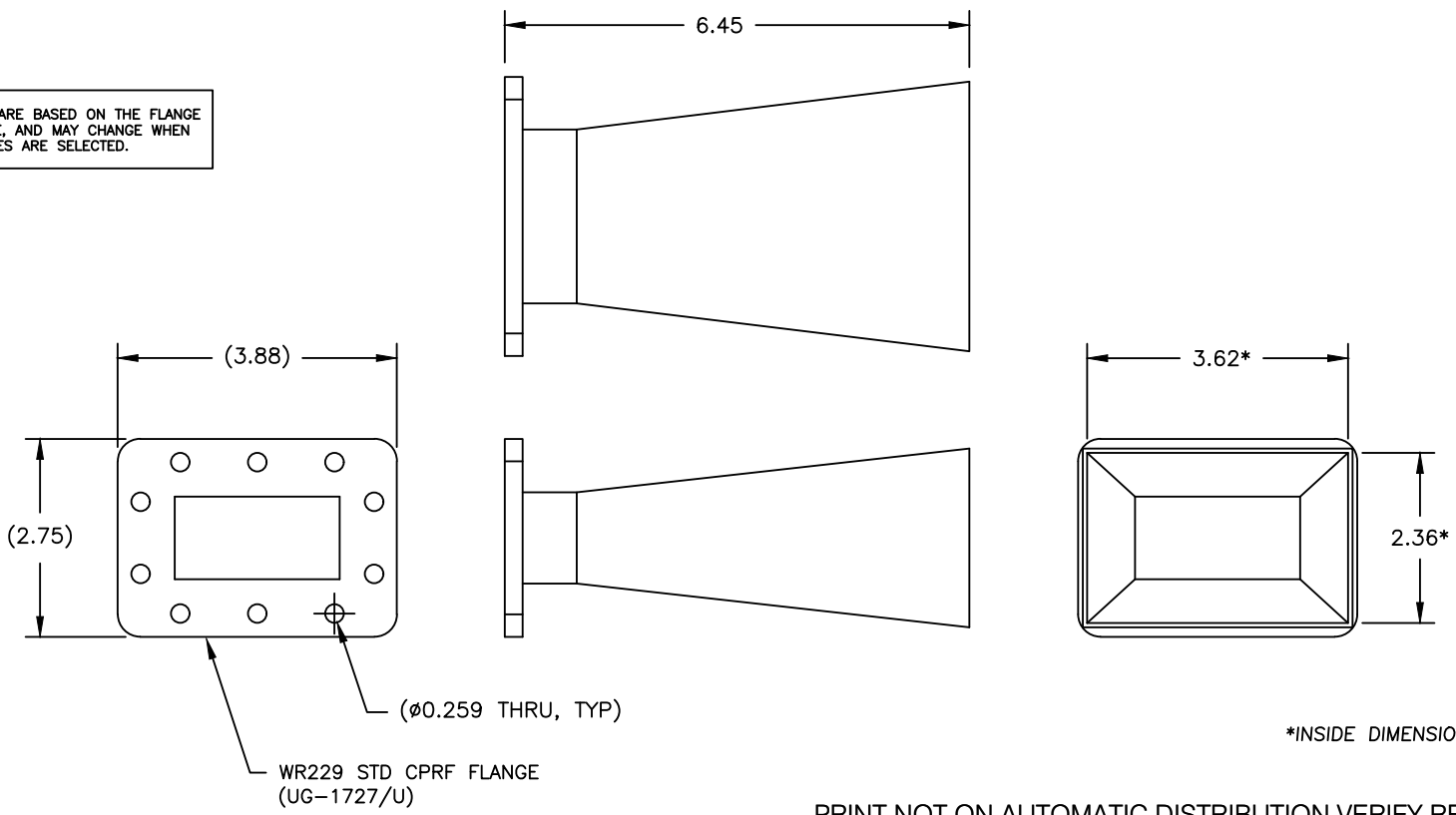


5 4 3 2 1

REV	AUTH	DATE	INITIAL RELEASE	REVISIONS				
A	DM	06/26/12	INITIAL RELEASE	ZONE	LTR	DESCRIPTION	DATE	APPROVED
B	LM	7/11/14	CHANGE TOLERANCE OF 2 PLACE DECIMAL FROM: +/--.01 TO : +/--.03					
C	DM	05/03/17	UPDATED TITLE BLOCK		D	N/M FORMAT UPDATE	05/03/22	

227415

***NOTE:** THESE DIMENSIONS ARE BASED ON THE FLANGE TYPE SHOWN ABOVE, AND MAY CHANGE WHEN OTHER FLANGE TYPES ARE SELECTED.



PRINT NOT ON AUTOMATIC DISTRIBUTION VERIFY REVISION PRIOR TO USE

<p>Narda-MITEQ PROPRIETARY THIS DOCUMENT CONTAINS INFORMATION WHICH IS PROPRIETARY TO Narda-MITEQ. THE CONTENTS SHALL NOT BE DISCLOSED, COPIED, DISTRIBUTED, OR USED UNLESS AUTHORIZED BY AN OFFICER OF Narda-MITEQ.</p> <p>THESE ITEM(S)/TECHNOLOGY CONTAIN INFORMATION SUBJECT TO U.S. GOVERNMENT EXPORT CONTROL IN ACCORDANCE WITH THE EXPORT ADMINISTRATION REGULATIONS (EAR), 15 CFR PARTS 730-744. EXPORT OF THIS DATA TO ANY FOREIGN COUNTRY OR DISCLOSURE OF THIS DATA TO ANY NON-US PERSON MAY BE A VIOLATION OF FEDERAL LAW.</p>			UNLESS OTHERWISE SPECIFIED DIMENSIONS ARE IN INCHES TOLERANCES ON DECIMALS .XX±.03 .XXX±.005 ANGLES ±0°30'	13988	 435 MORELAND RD HAUPPAUGE, NY 11788																			
			PROJECTION	<table border="1"> <tr> <th>DRN BY</th> <th>NAME</th> <th>DATE</th> </tr> <tr> <td>B. FRESHOUR</td> <td></td> <td>05/03/22</td> </tr> </table>		DRN BY	NAME	DATE	B. FRESHOUR		05/03/22	<p>APPROVED BY</p> <table border="1"> <tr> <td>PROJ ENGR</td> <td></td> </tr> <tr> <td>MFG ENG</td> <td></td> </tr> <tr> <td>Q.A.</td> <td></td> </tr> </table>	PROJ ENGR		MFG ENG		Q.A.		<table border="1"> <tr> <th>SIZE</th> <th>CODE IDENT. NO.</th> <th>REV.</th> </tr> <tr> <td>B</td> <td>94S46</td> <td>D</td> </tr> </table>	SIZE	CODE IDENT. NO.	REV.	B	94S46
	DRN BY	NAME	DATE																					
	B. FRESHOUR		05/03/22																					
PROJ ENGR																								
MFG ENG																								
Q.A.																								
SIZE	CODE IDENT. NO.	REV.																						
B	94S46	D																						
	229-442-2	MATERIAL AL ALY	FINISH CHEM FILM	AUTOCAD FILE FORMAT																				
	NEXT ASSY USED ON APPLICATION				<table border="1"> <tr> <th>SCALE</th> <th>REF</th> <th>SHEET</th> <th>1 OF</th> </tr> <tr> <td></td> <td>229-442-2</td> <td>1</td> <td>1</td> </tr> </table>	SCALE	REF	SHEET	1 OF		229-442-2	1	1											
SCALE	REF	SHEET	1 OF																					
	229-442-2	1	1																					

5 4 3 2 1

AUTOCAD 8-2023