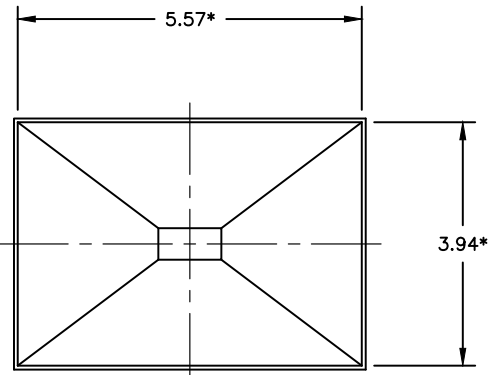
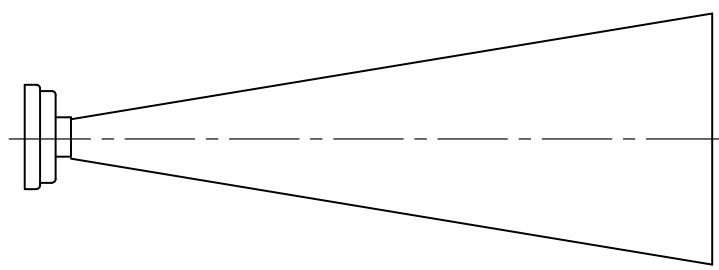
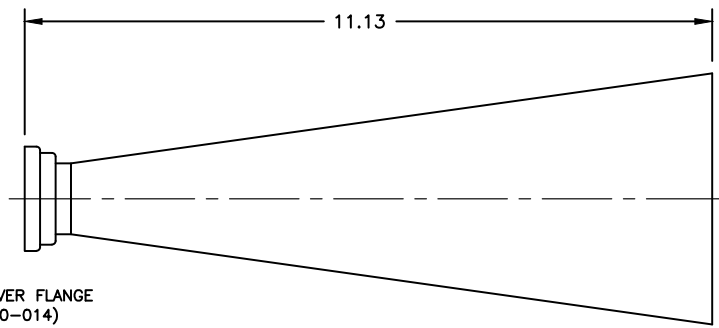


5 4 3 2 1

REV	AUTH	DATE	INITIAL RELEASE
A	DM	07/30/12	INITIAL RELEASE
B	LM	7/11/14	CHANGE TOLERANCE OF 2 PLACE DECIMAL FROM: +/--.01 TO:+/--.04
C	M.R.	03/20/17	UPDATED FLANGE ILLUSTRATION, NO DIMENSIONAL CHANGES. FORMAT UPDATE

REVISIONS				
ZONE	LTR	DESCRIPTION	DATE	APPROVED
	D	N/M FORMAT UPDATE	04/28/22	

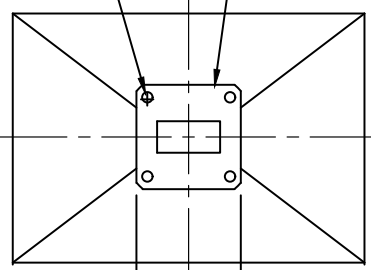
13975



*INSIDE DIMENSION

(Ø0.17 THRU, TYP)

WR102 STD COVER FLANGE
(MIL-F-3922/70-014)



(1.69)
SQ

PRINT NOT ON AUTOMATIC DISTRIBUTION VERIFY REVISION PRIOR TO USE

<p>Narda-MITEQ PROPRIETARY THIS DOCUMENT CONTAINS INFORMATION WHICH IS PROPRIETARY TO Narda-MITEQ. THE CONTENTS SHALL NOT BE DISCLOSED, COPIED, DISTRIBUTED, OR USED UNLESS AUTHORIZED BY AN OFFICER OF Narda-MITEQ.</p> <p>THESE ITEM(S)/TECHNOLOGY CONTAIN INFORMATION SUBJECT TO U.S. GOVERNMENT EXPORT CONTROL IN ACCORDANCE WITH THE EXPORT ADMINISTRATION REGULATIONS (EAR), 15 CFR PARTS 730-744. EXPORT OF THIS DATA TO ANY FOREIGN COUNTRY OR DISCLOSURE OF THIS DATA TO ANY NON-US PERSON MAY BE A VIOLATION OF FEDERAL LAW.</p>			UNLESS OTHERWISE SPECIFIED DIMENSIONS ARE IN INCHES TOLERANCES ON DECIMALS ANGLES .XX ± .04 .XXX ± .005 ± 0°30'	13975	 435 MORELAND RD HAUPPAUGE, NY 11788						
			PROJECTION	<table border="1"> <tr> <th>DRN BY</th> <th>NAME</th> <th>DATE</th> </tr> <tr> <td>B. FRESHOUR</td> <td></td> <td>04/28/22</td> </tr> </table>		DRN BY	NAME	DATE	B. FRESHOUR		04/28/22
	DRN BY	NAME	DATE								
	B. FRESHOUR		04/28/22								
		MATERIAL AL ALY	<table border="1"> <tr> <th>PROJ ENGR</th> <th>MFG ENGR</th> <th>Q.A.</th> </tr> <tr> <td></td> <td></td> <td></td> </tr> </table>	PROJ ENGR	MFG ENGR	Q.A.					
PROJ ENGR	MFG ENGR	Q.A.									
	102-442-6	FINISH CHEM FILM			<table border="1"> <tr> <th>SIZE</th> <th>CODE IDENT. NO.</th> <th>REV.</th> </tr> <tr> <td>B</td> <td>94S46</td> <td>D</td> </tr> </table>	SIZE	CODE IDENT. NO.	REV.	B	94S46	D
SIZE	CODE IDENT. NO.	REV.									
B	94S46	D									

5 4 3 2 1

FORM 1000B

AUTOCAD 9-2021